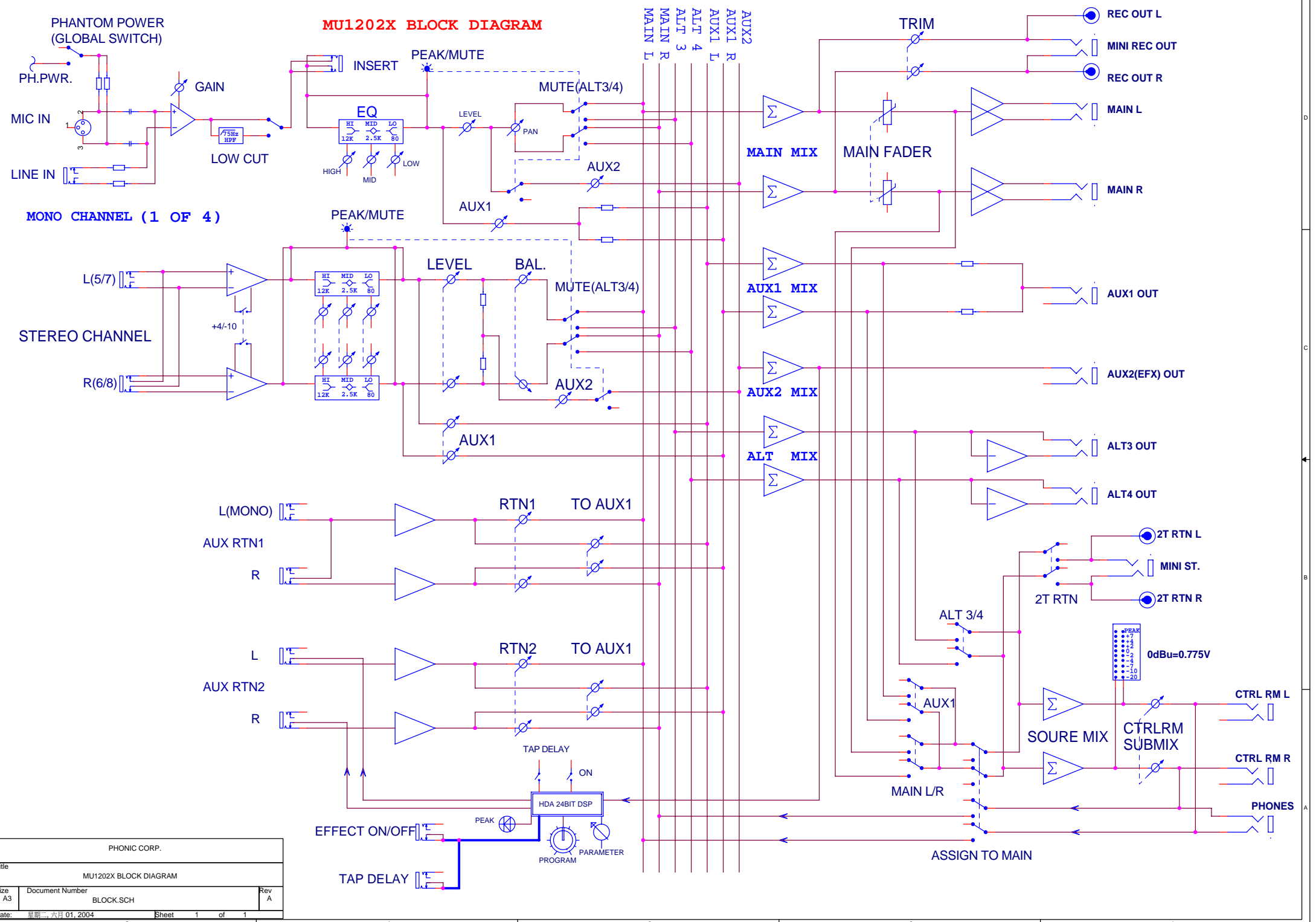
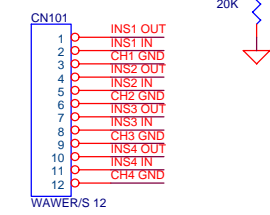
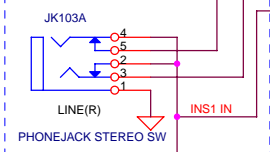
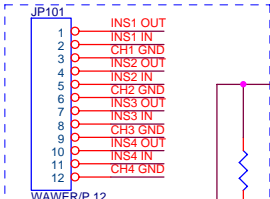
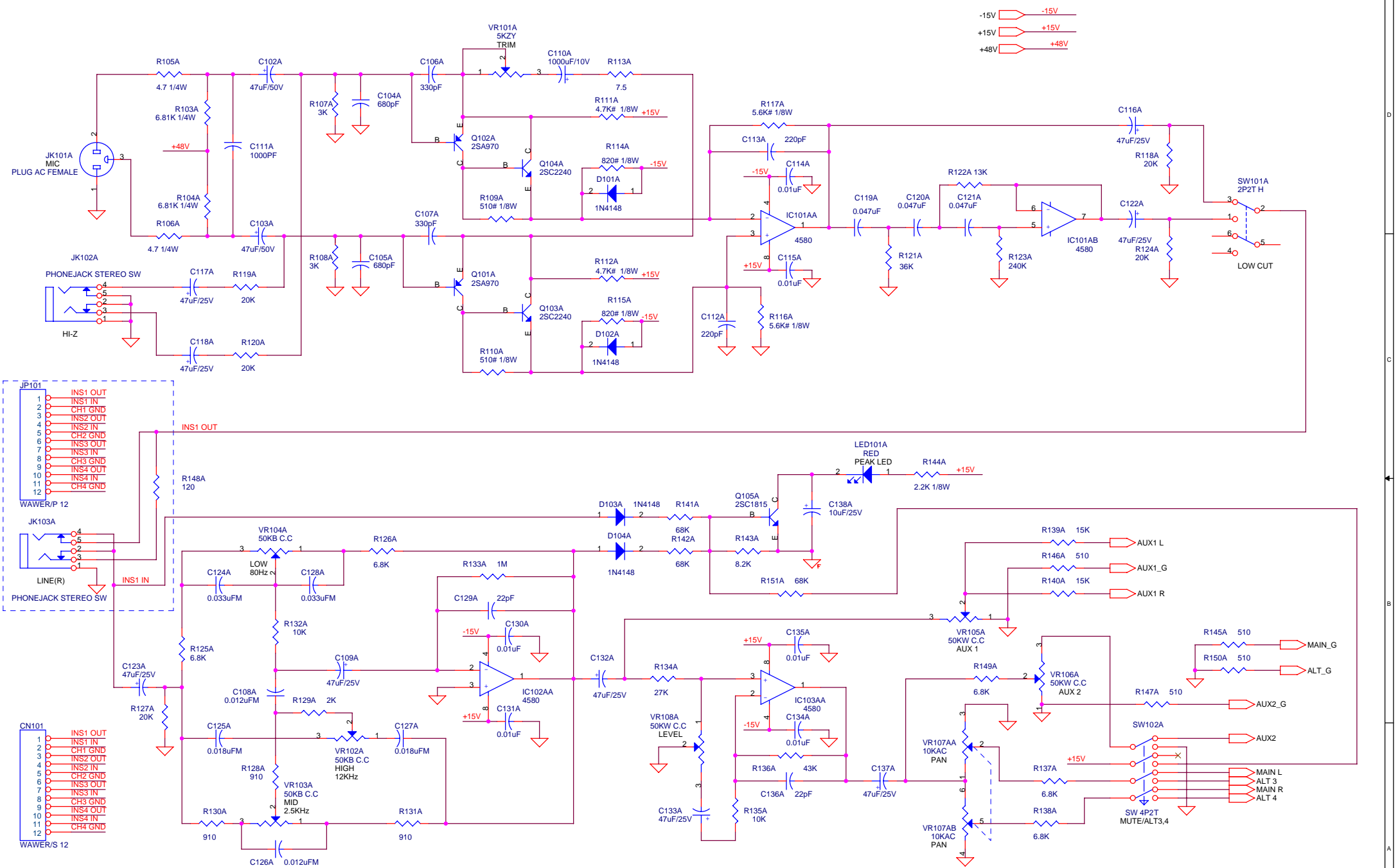


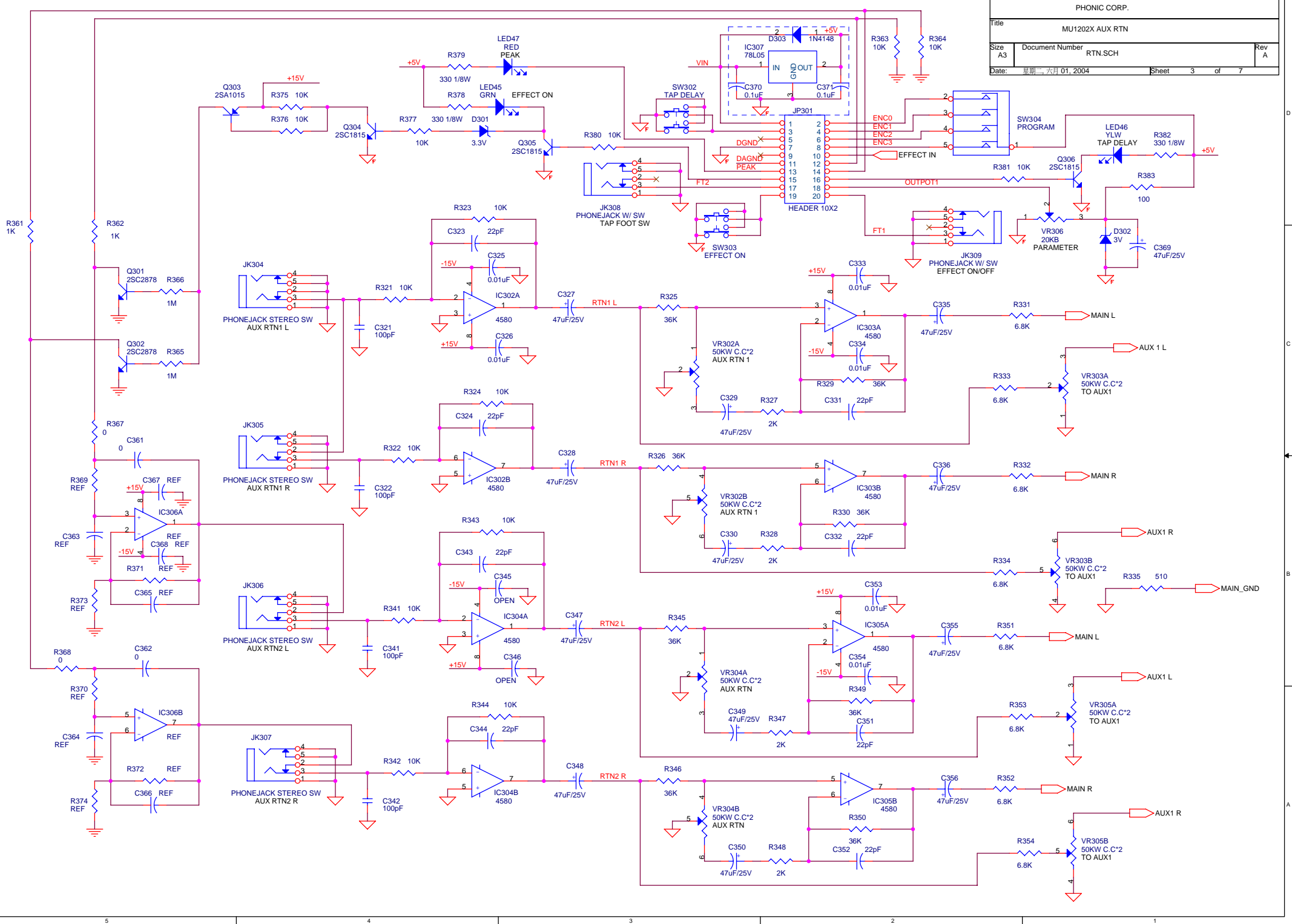
MU1202X BLOCK DIAGRAM

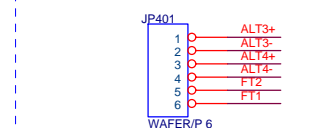
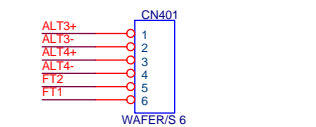
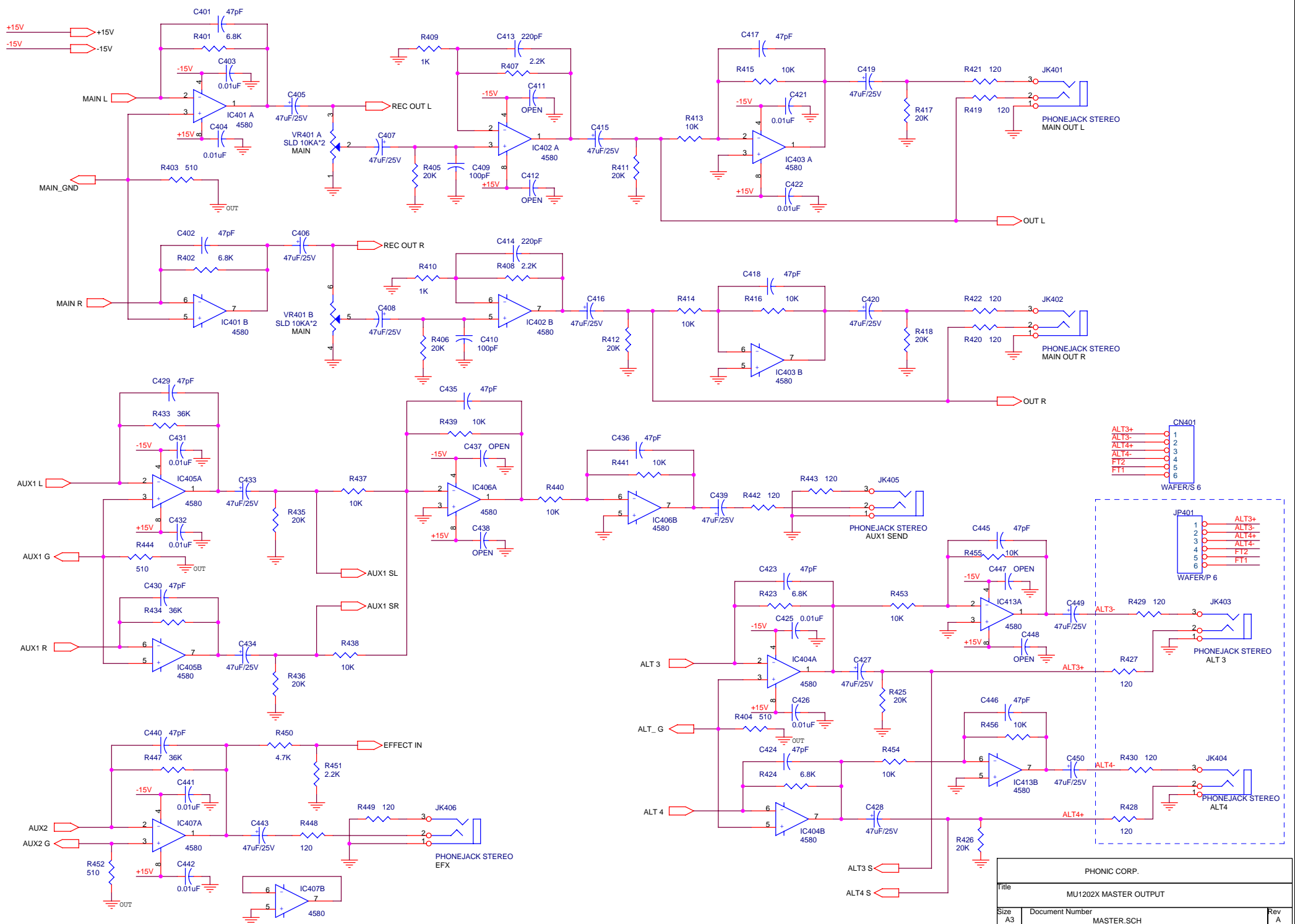


PHONIC CORP.	
Title: MU1202X BLOCK DIAGRAM	
Size: A3	Document Number: BLOCK.SCH
Date: 星期三, 六月 01, 2004	Rev: A
Sheet: 1	of: 1

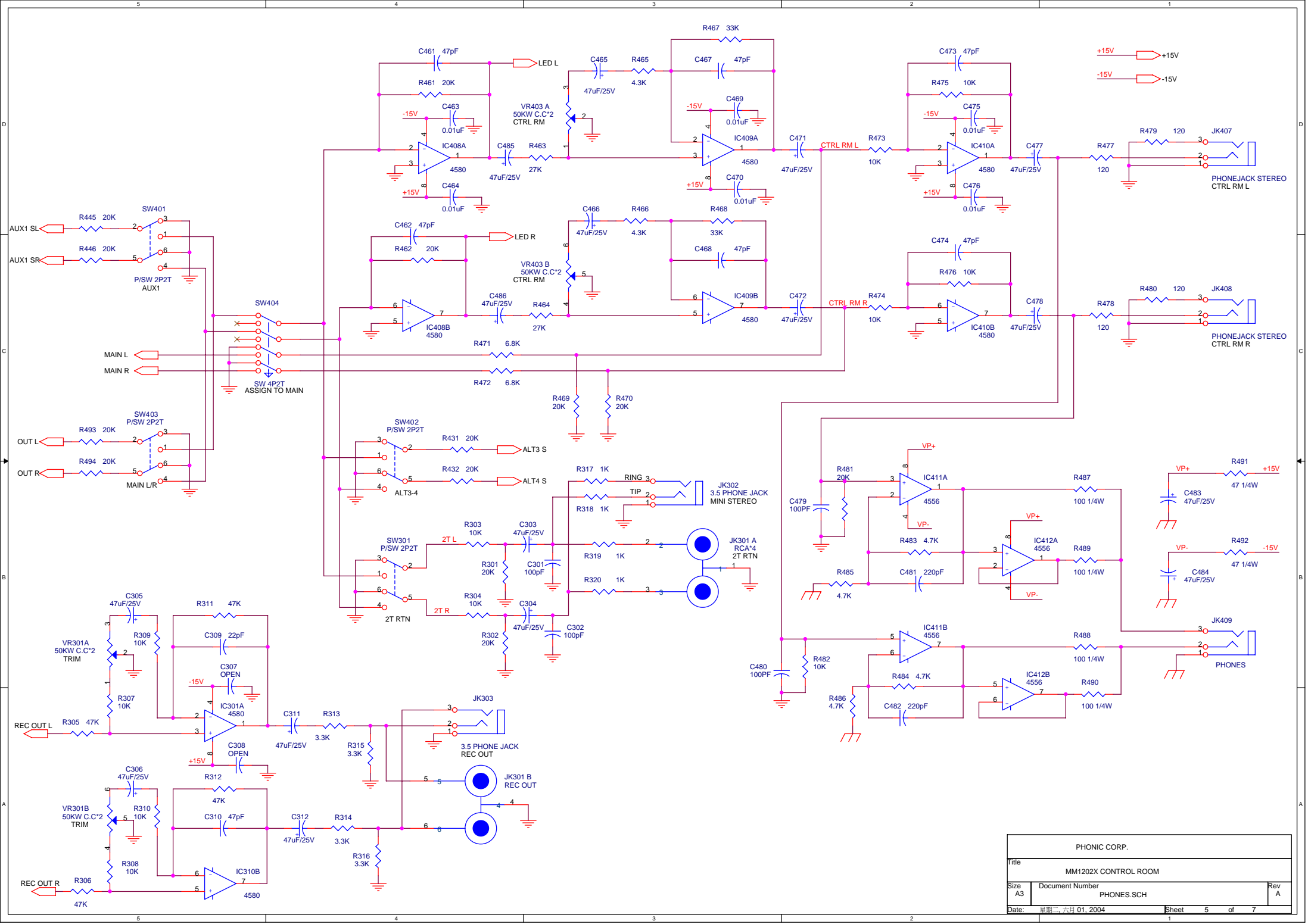


PHONIC CORP.			
Title MU1202X CHANNEL1-4 INPUT			
Size A3	Document Number CH1-4.SCH	Rev A	
Date: 星期三, 六月 01, 2004	Sheet 1	of	7

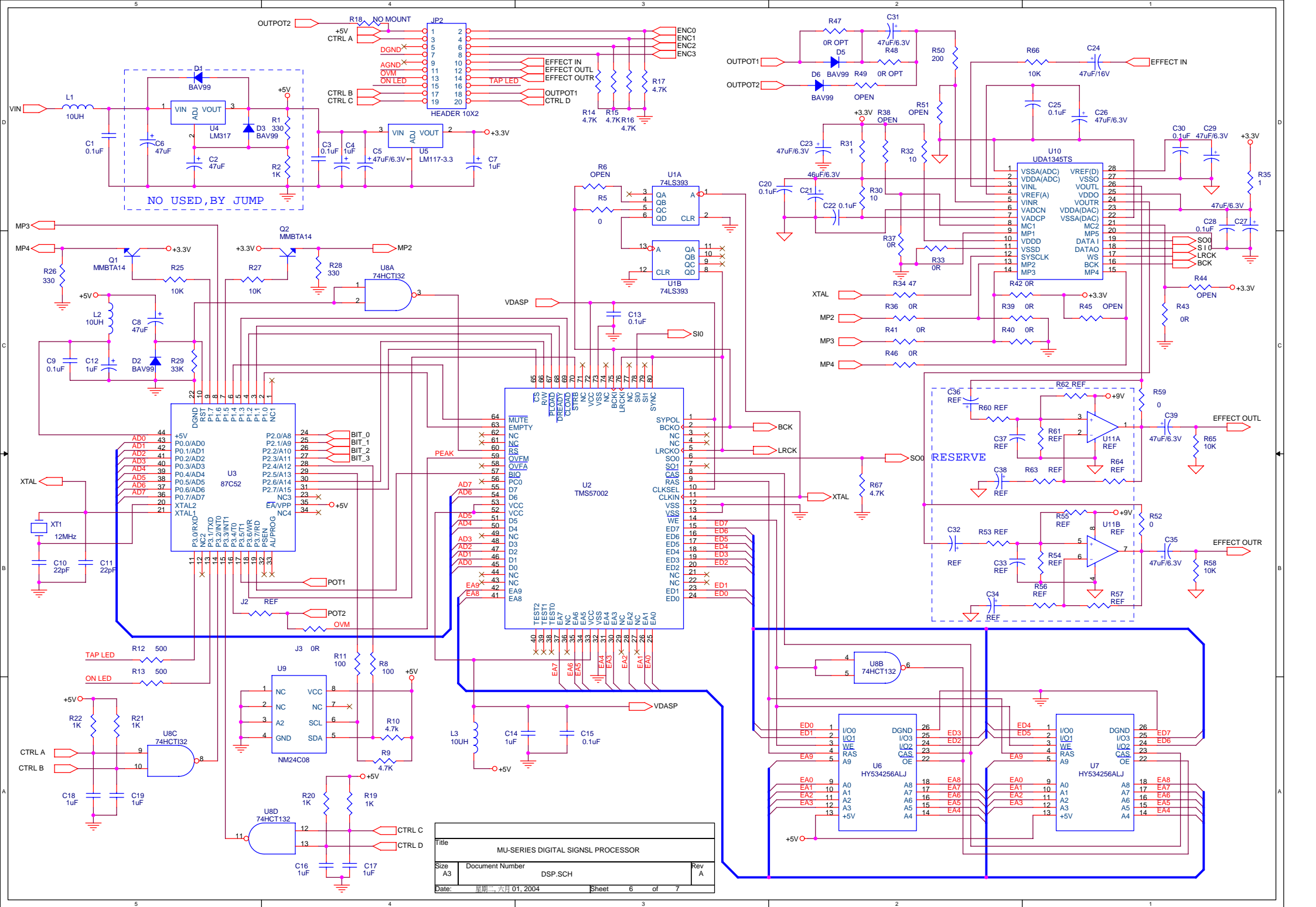




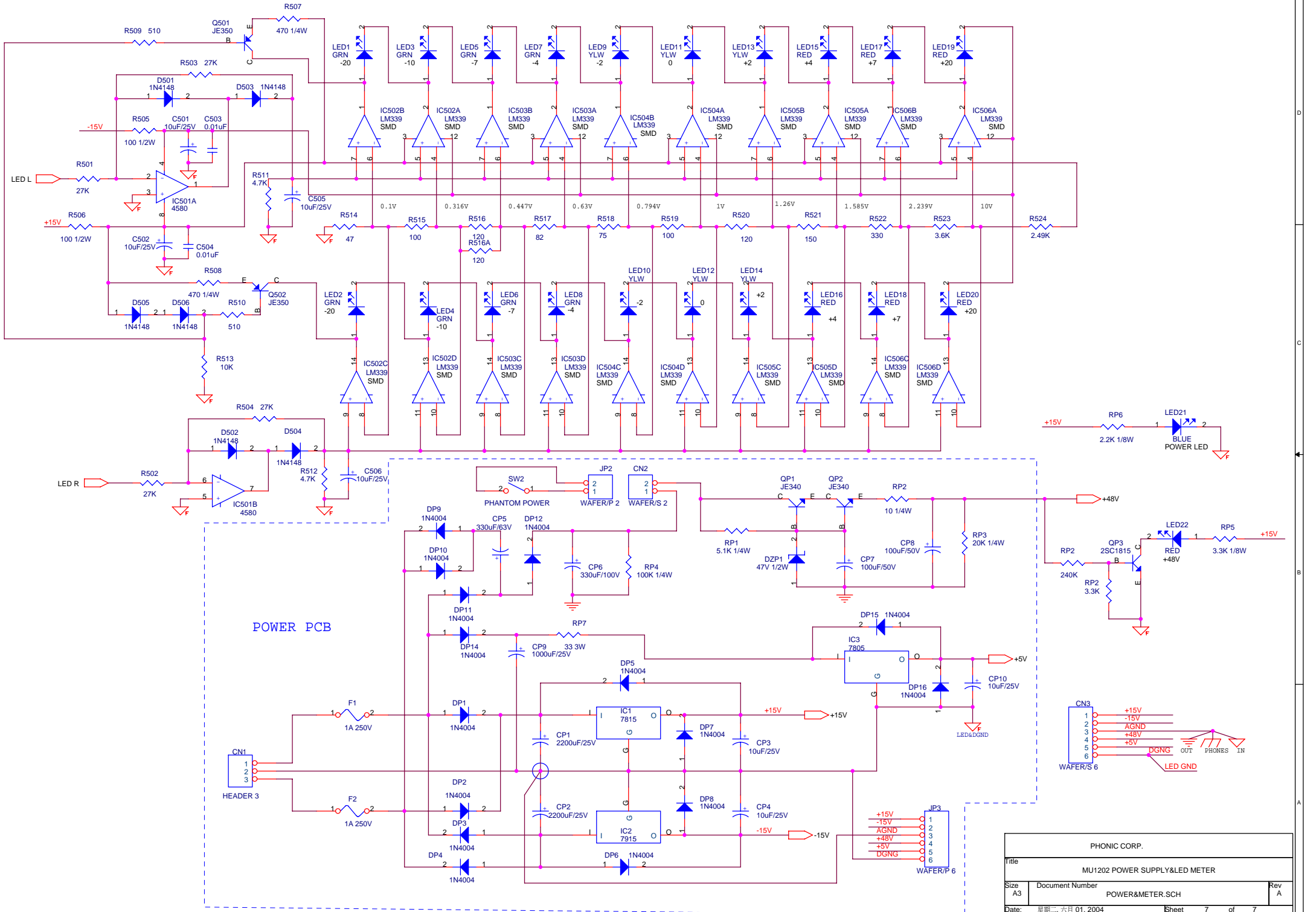
PHONIC CORP.		
Title MU1202X MASTER OUTPUT		
Size A3	Document Number MASTER.SCH	Rev A
Date: 星期三, 六月 01, 2004	Sheet 4	of 7



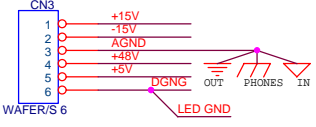
PHONIC CORP.		
Title MM1202X CONTROL ROOM		
Size A3	Document Number PHONES.SCH	Rev A
Date: 星期一, 六月 01, 2004	Sheet 5	of 7



Title			
MU-SERIES DIGITAL SIGNALS PROCESSOR			
Size	Document Number	DSP.SCH	Rev A
Date:	星期二, 六月 01, 2004	Sheet 6 of 7	



POWER PCB



PHONIC CORP.			
Title MU1202 POWER SUPPLY&LED METER			
Size A3	Document Number POWER&METER.SCH	Rev A	
Date: 星期三, 六月 01, 2004	Sheet 7	of 7	