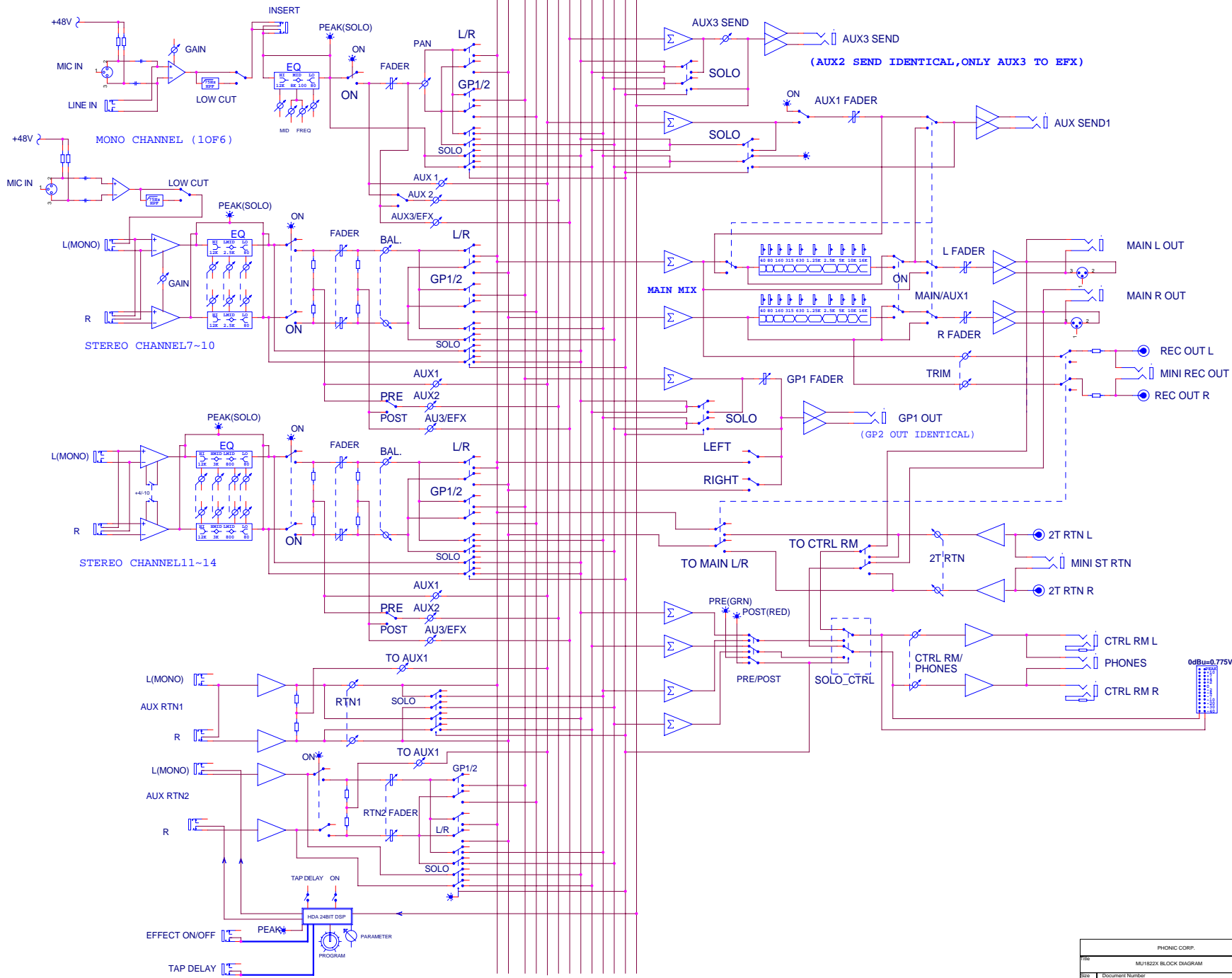
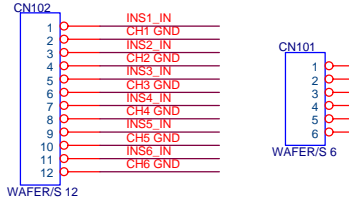
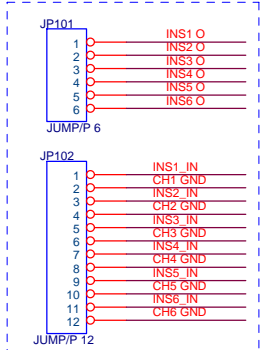
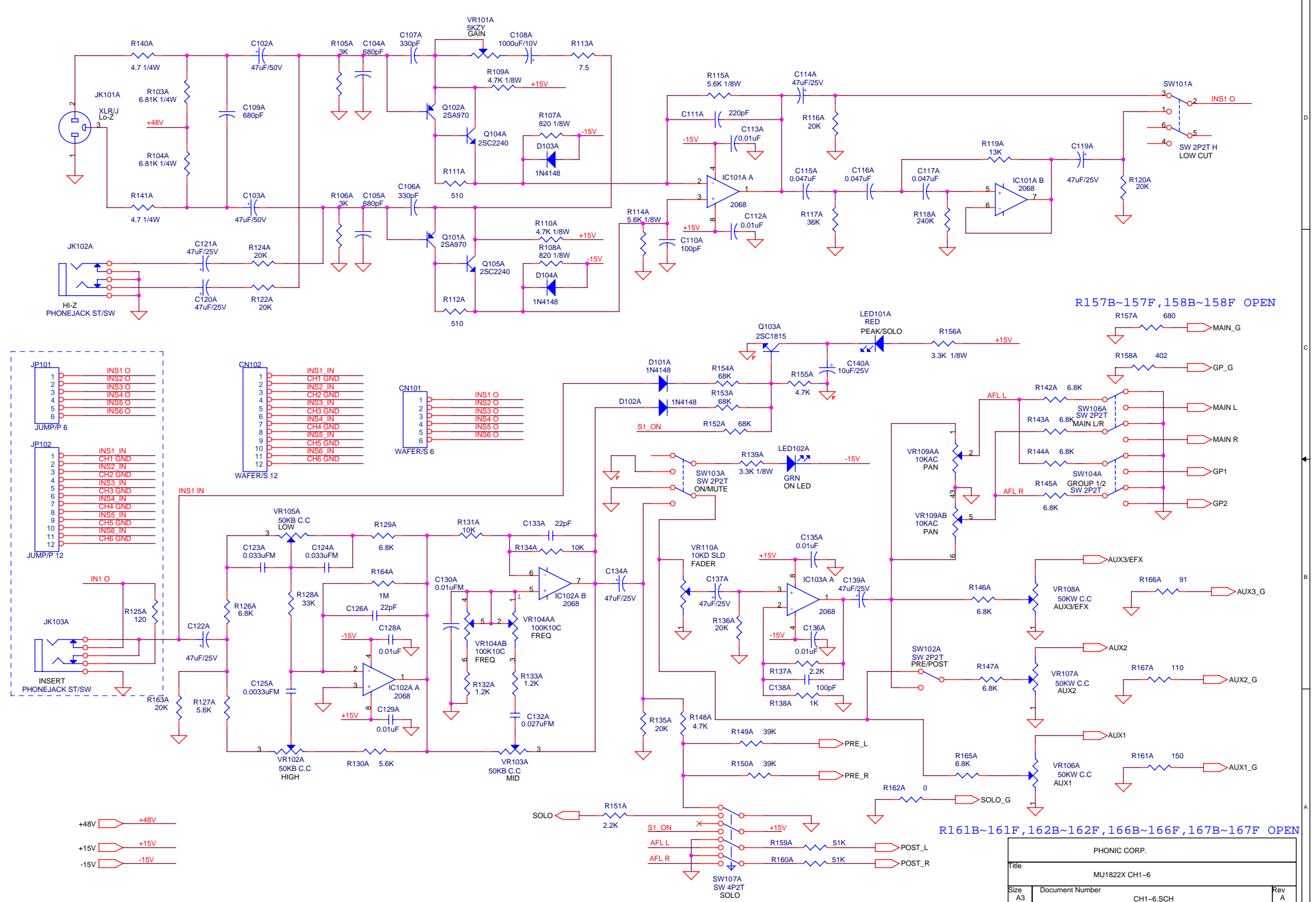


MU1822X BLOCK DIAGRAM



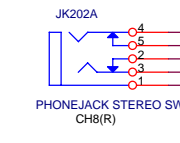
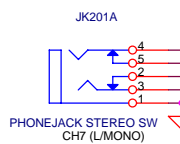
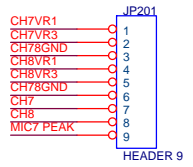
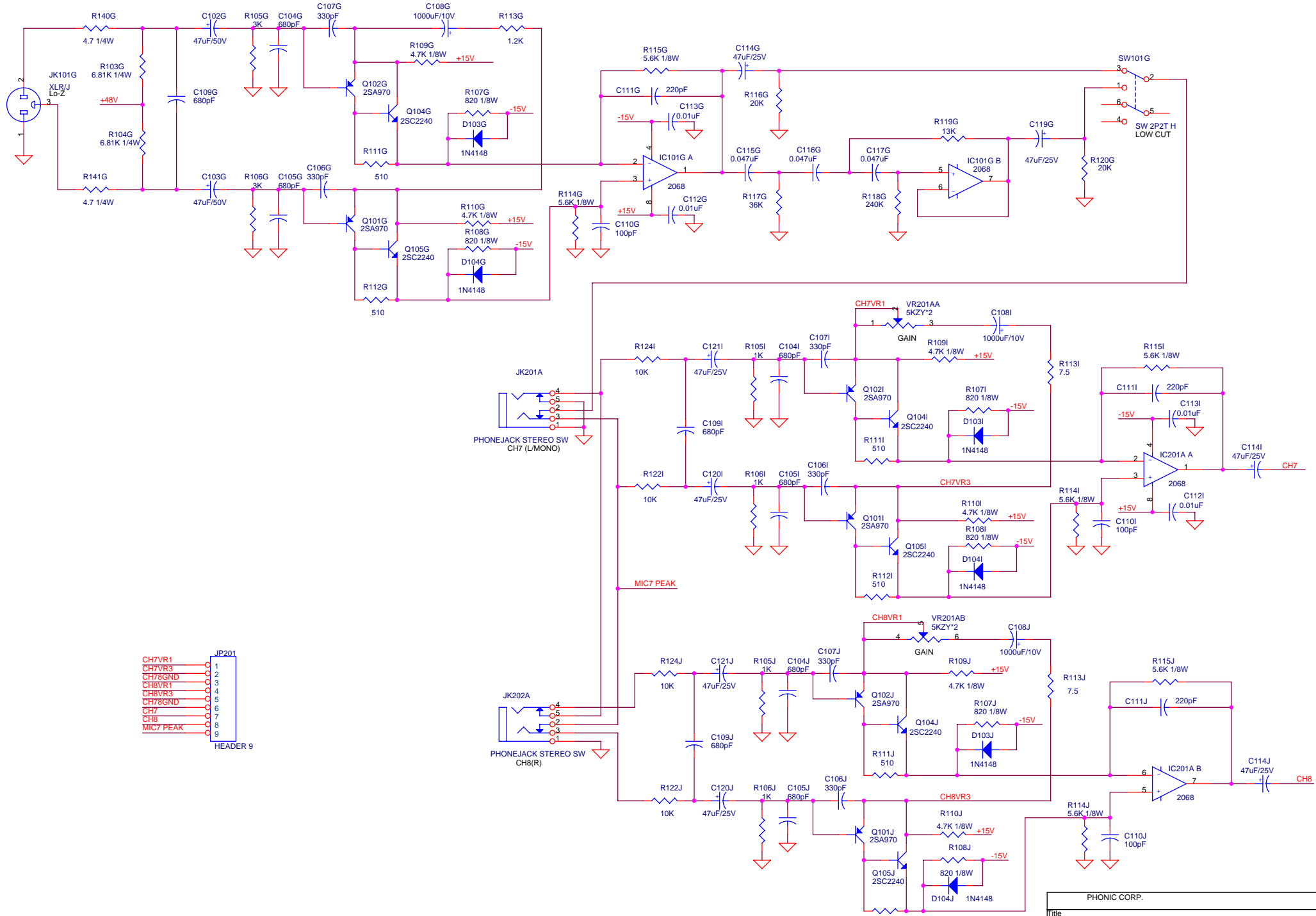
PHONIC CORP.			
MU1822X BLOCK DIAGRAM			
Doc#	Document Number	Block Schematic	Rev A
Date	01/23/2004	Page	1 of 1



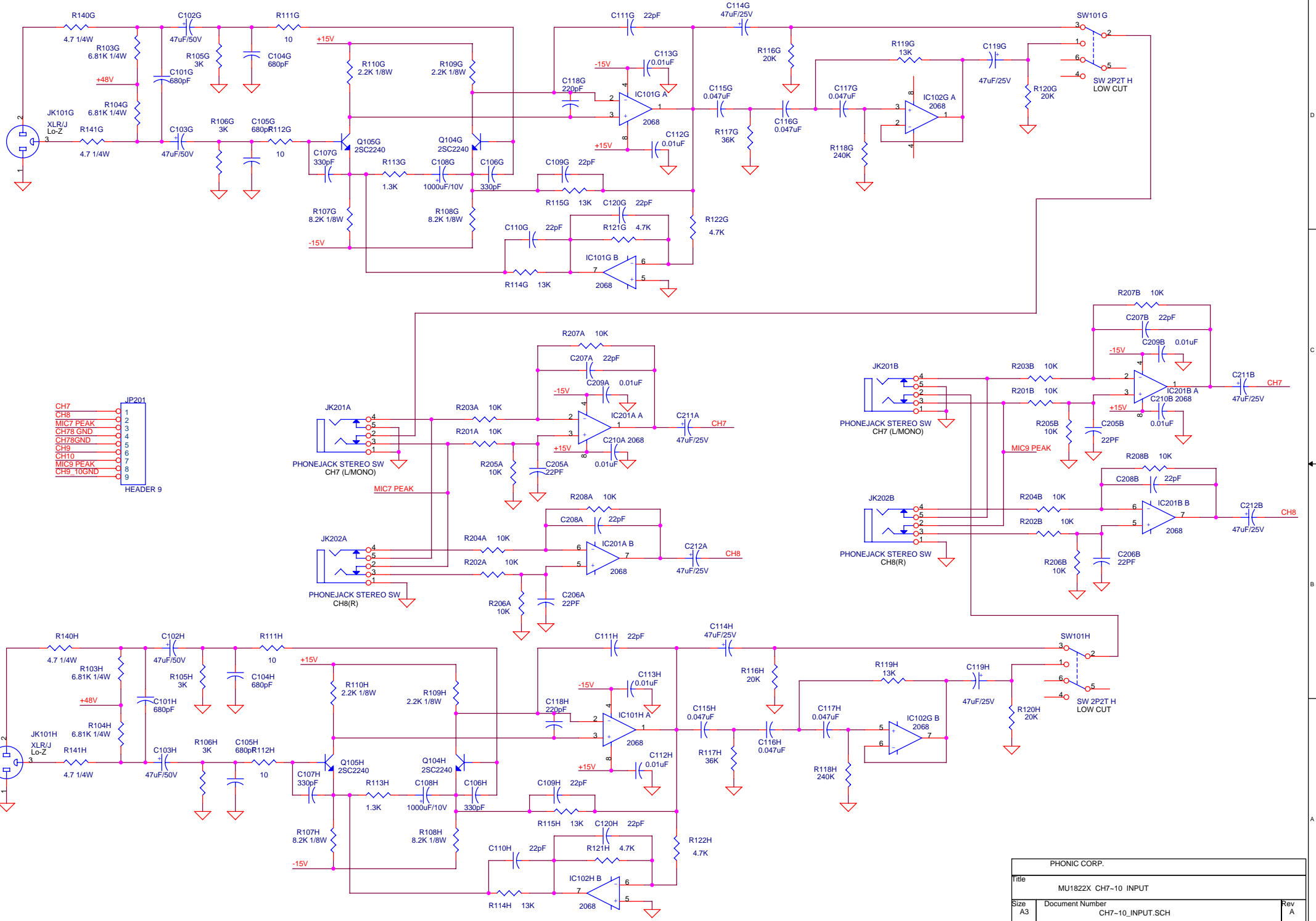
R157B~157F, 158B~158F OPEN

R161B~161F, 162B~162F, 166B~166F, 167B~167F OPEN

PHONIC CORP.			
Title MU1822X CH1-6			
Size A3	Document Number CH1-6.SCH	Rev A	
Date: 星期六, 五月 29, 2004	Sheet 1	of 16	

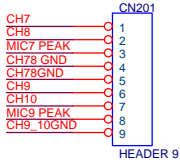
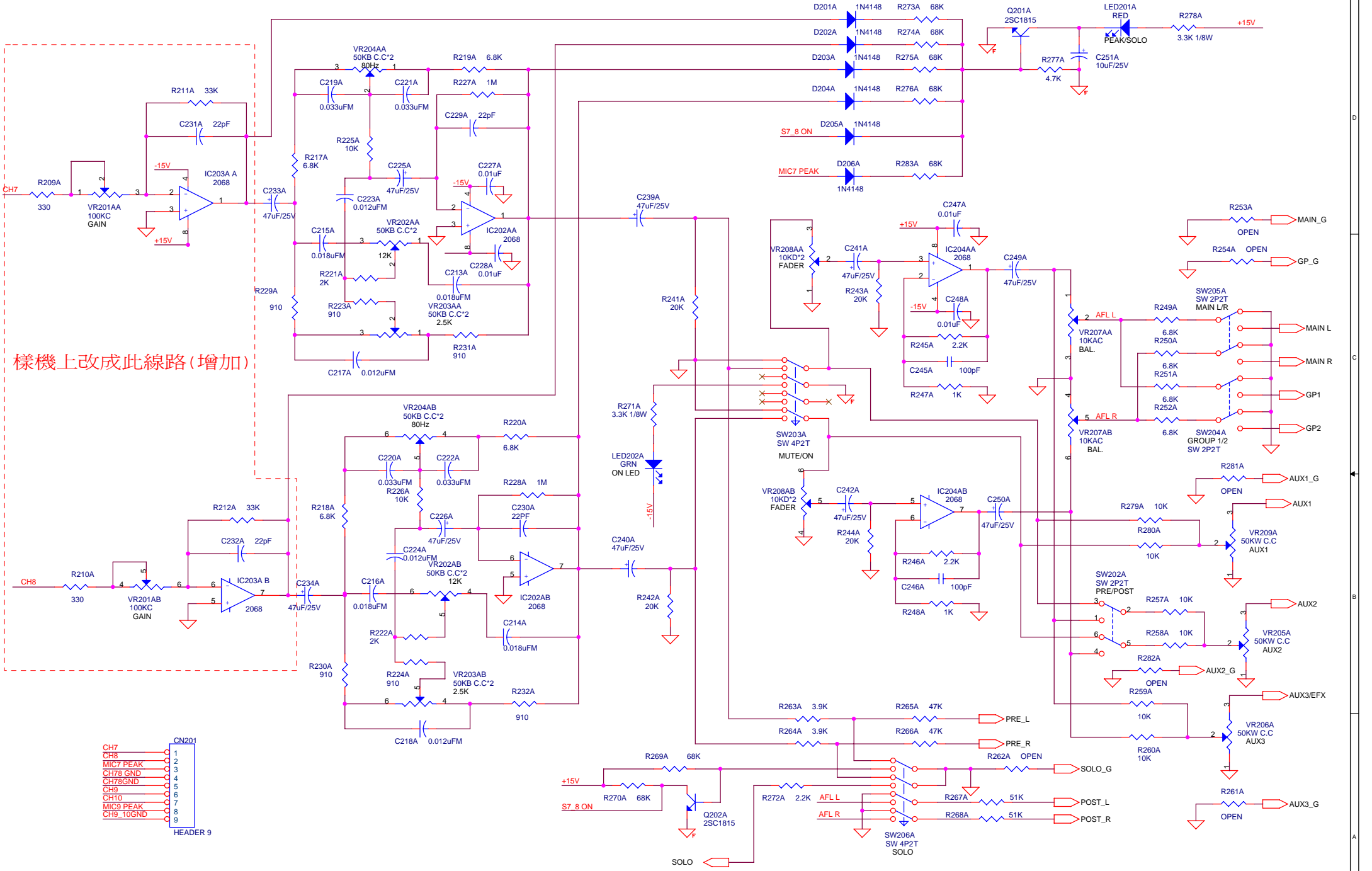


PHONIC CORP.		
Title MU1822X CH7/8 MIC INPUT		
Size A3	Document Number CH7/8P1.SCH	Rev A
Date: 星期六, 五月 29, 2004	Sheet 2	of 16

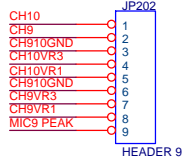
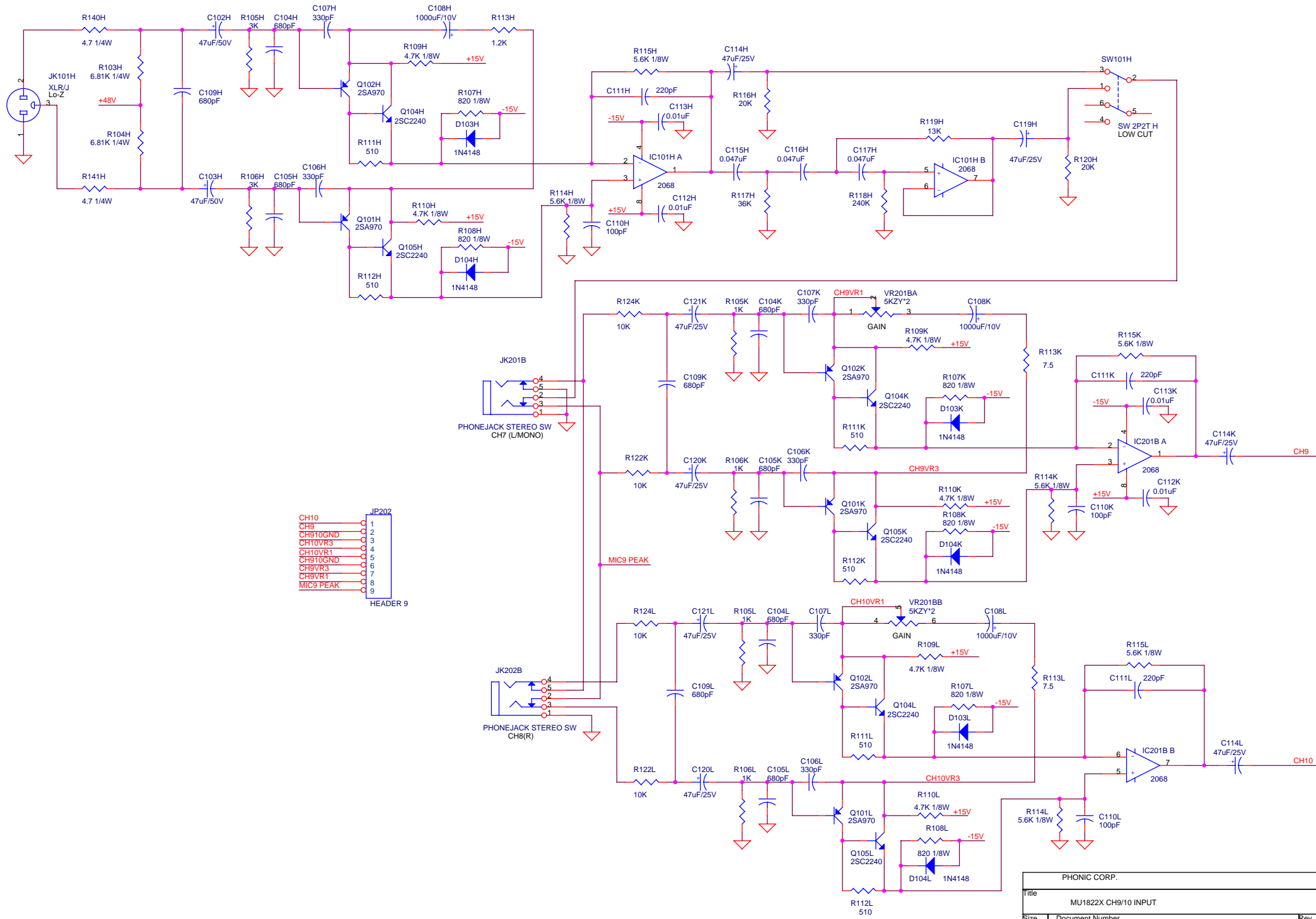


PHONIC CORP.		
Title MU1822X CH7-10 INPUT		
Size A3	Document Number CH7-10_INPUT.SCH	Rev A
Date: 星期六, 五月 29, 2004	Sheet 2	of 16

樣機上改成此線路(增加)

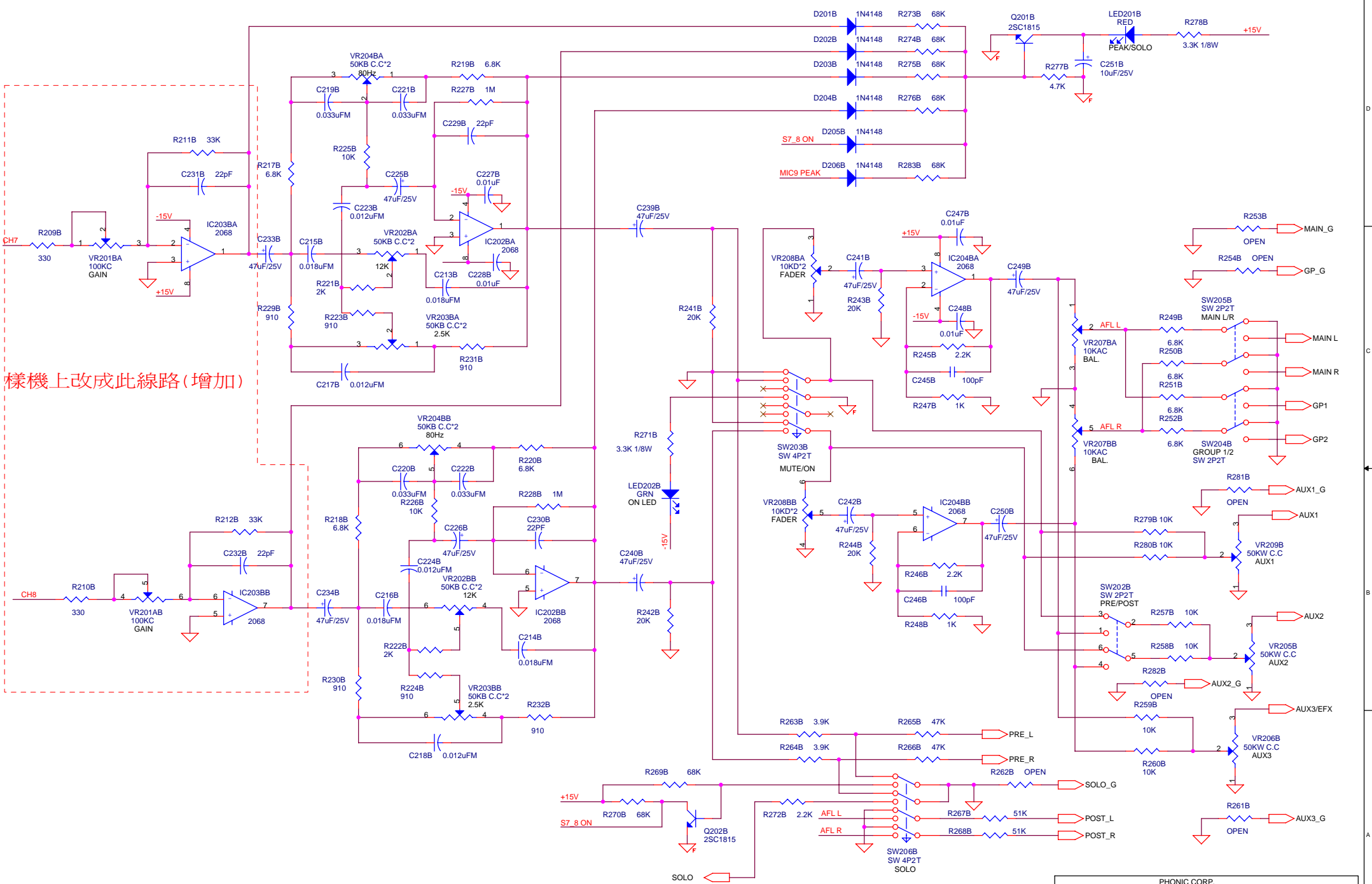


PHONIC CORP.		
Title MU1822X CH7/8		
Size A3	Document Number CH7_8.SCH	Rev A
Date: 星期六, 五月 29, 2004	Sheet 3	of 16

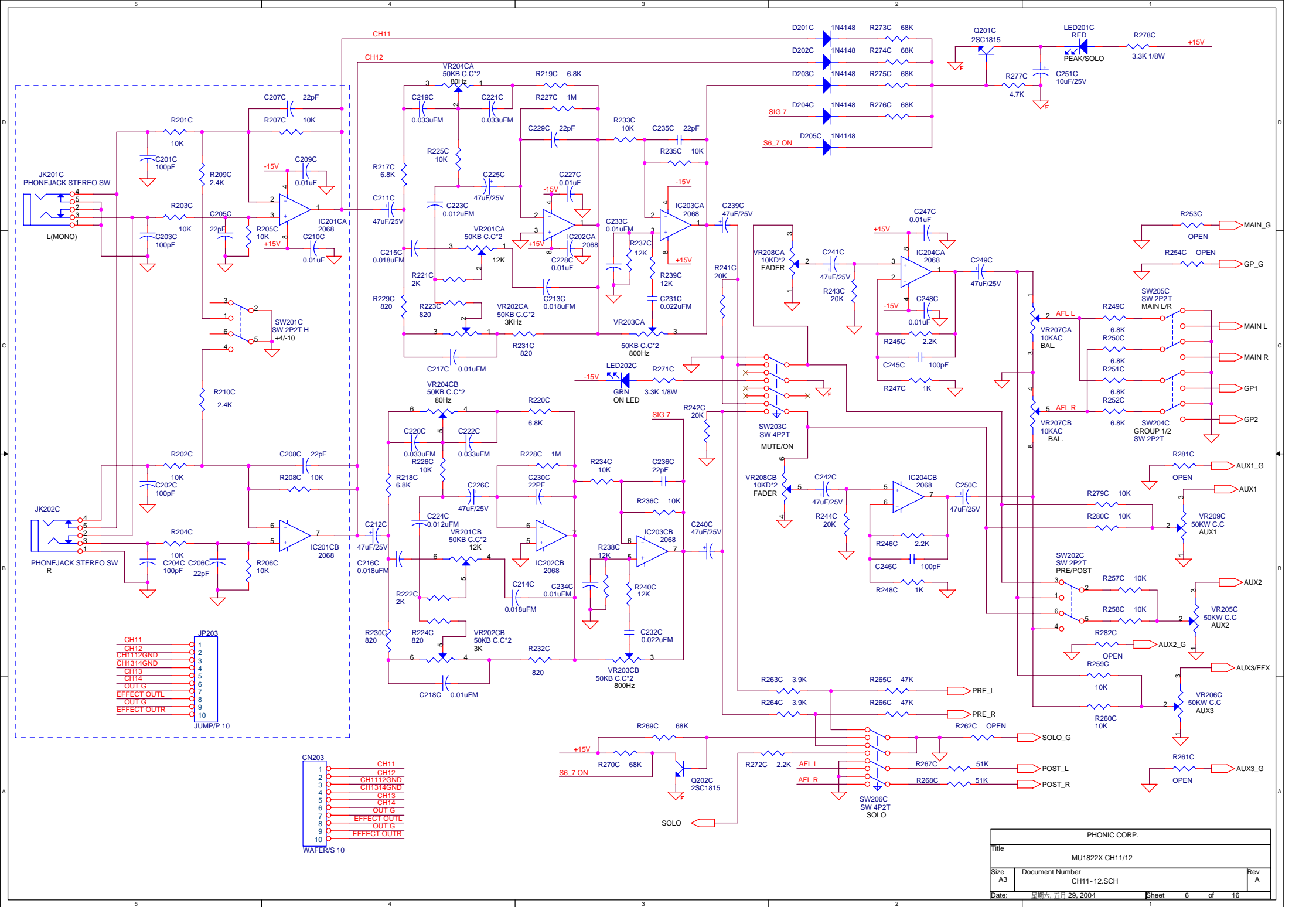


PHONIC CORP.		
Title MU1822X CH9/10 INPUT		
Size A3	Document Number CH9/10P1.SCH	Rev A
Date: 星期六, 五月 29, 2004	Sheet 4	of 16

樣機上改成此線路(增加)



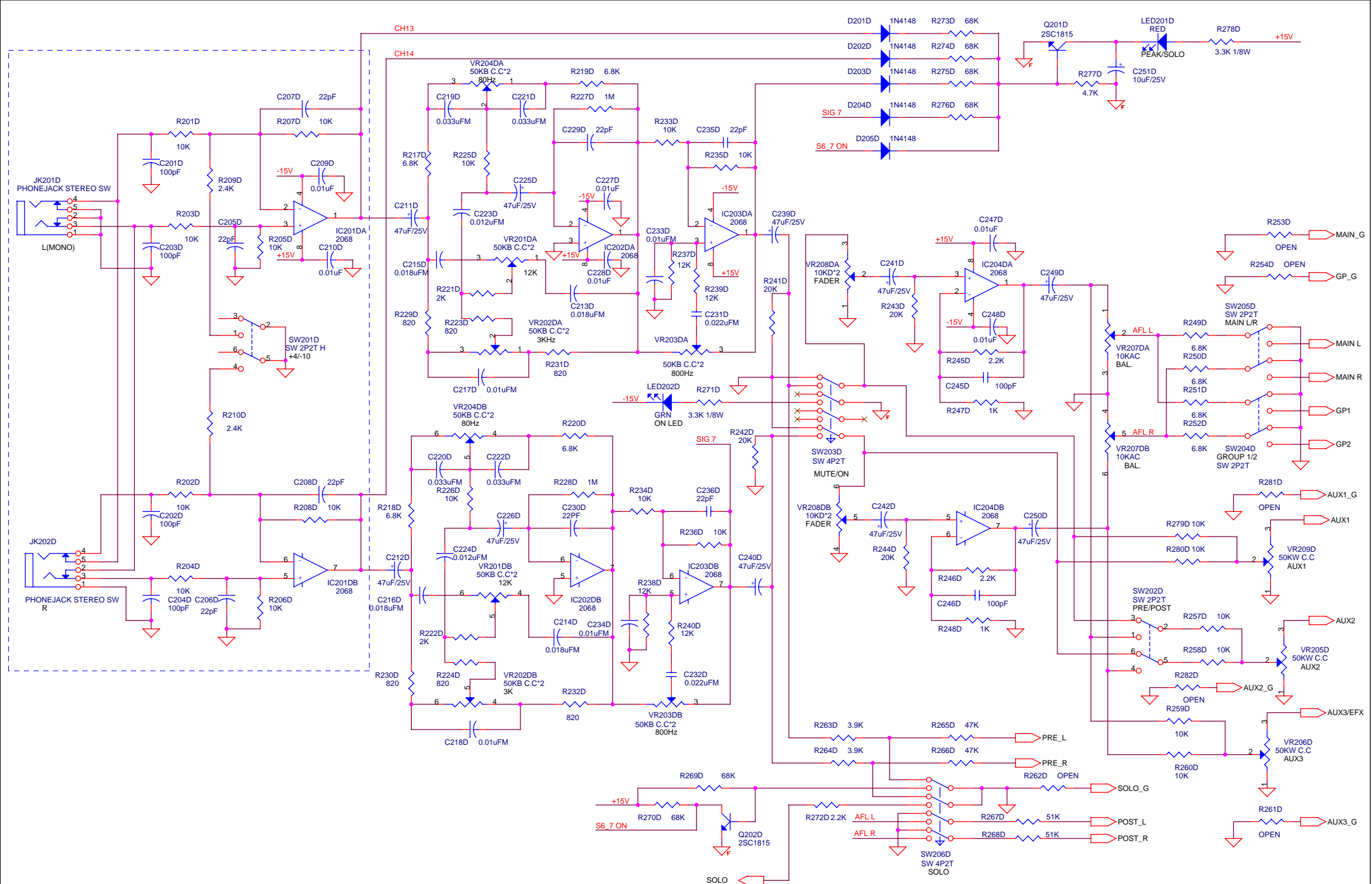
PHONIC CORP.		
Title MU1822X CH9/10		
Size A3	Document Number CH9-10.SCH	Rev A
Date: 星期六, 五月 29, 2004	Sheet 5	of 16



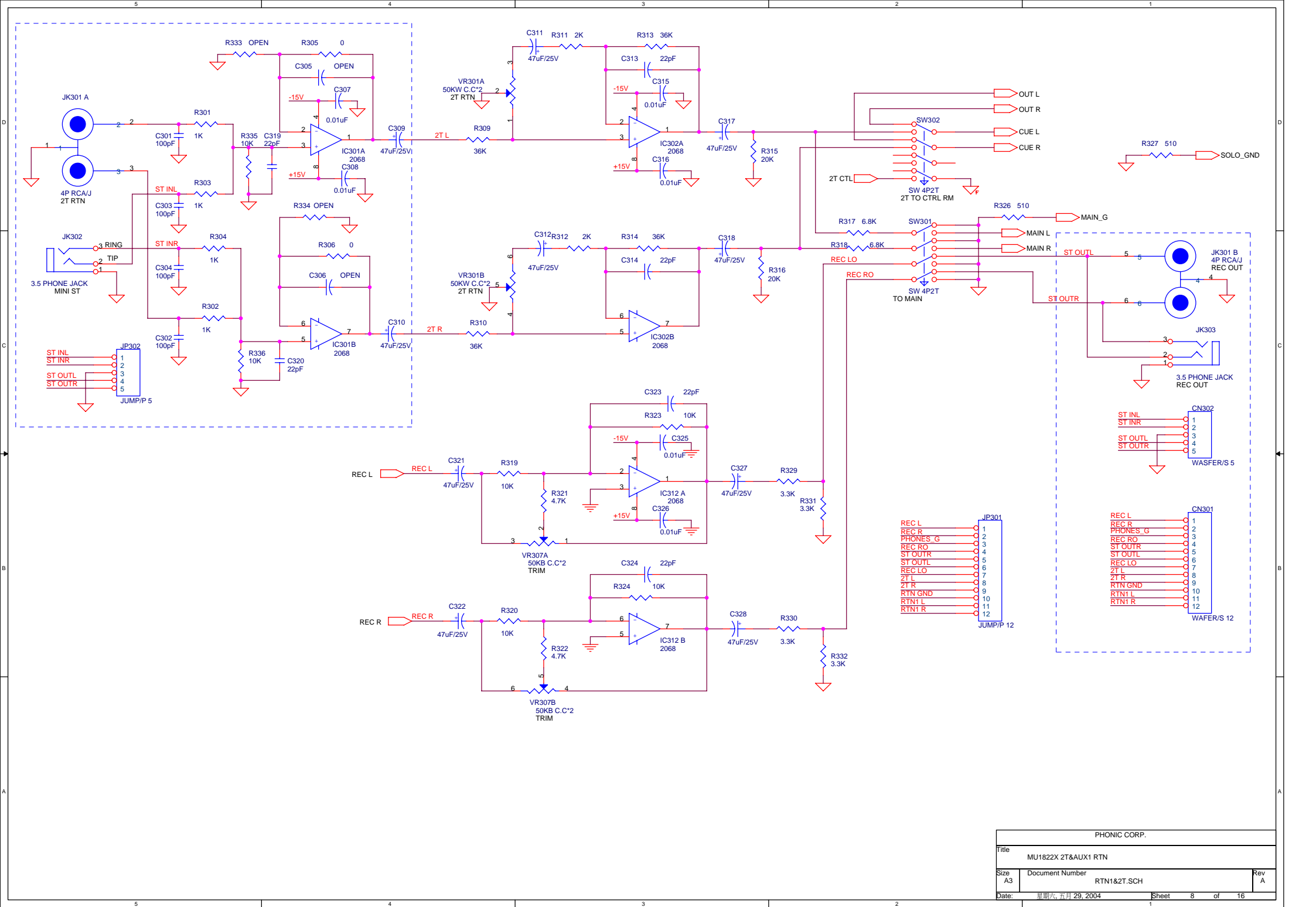
- CH11
 - CH12
 - CH112GND
 - CH1314GND
 - CH13
 - CH14
 - OUT G
 - EFFECT OUTL
 - OUT G
 - EFFECT OUTR
- JUMP/P 10

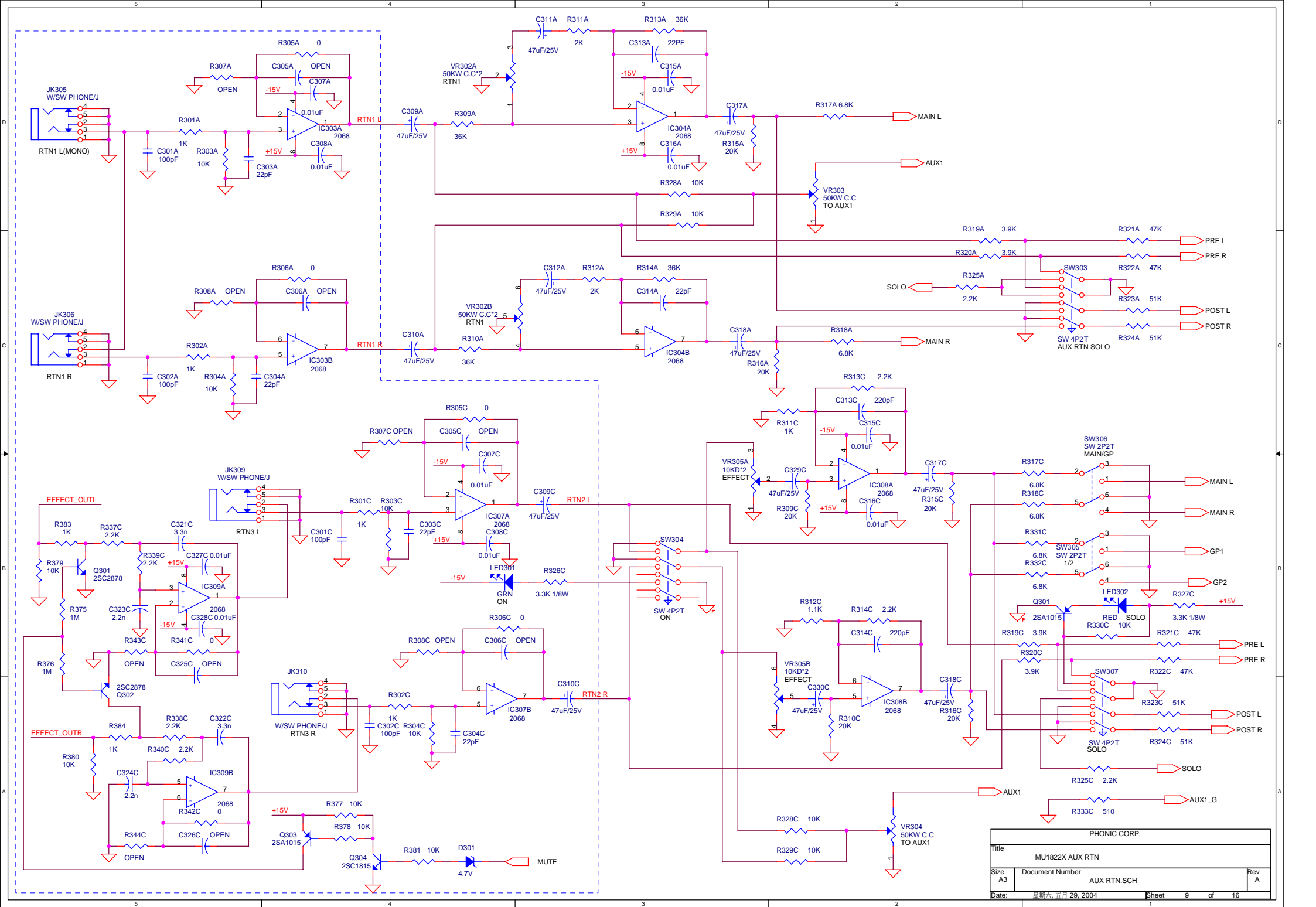
- CH11
 - CH12
 - CH112GND
 - CH1314GND
 - CH13
 - CH14
 - OUT G
 - EFFECT OUTL
 - OUT G
 - EFFECT OUTR
- WAFER/S 10

PHONIC CORP.		
Title MU1822X CH11/12		
Size A3	Document Number CH11-12.SCH	Rev A
Date: 星期六, 五月 29, 2004	Sheet 6	of 16

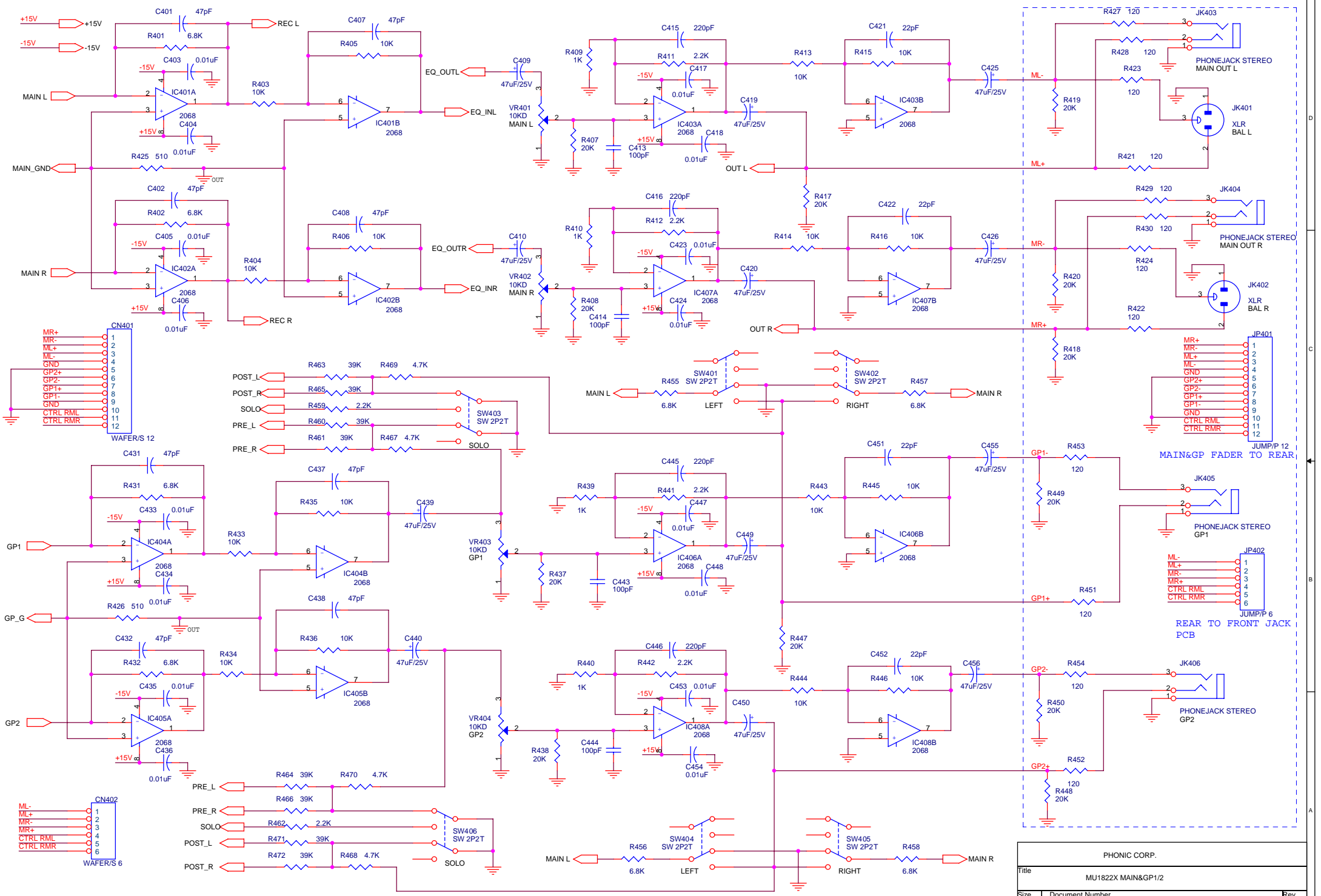


PHONIC CORP.		
Title	MU1822X CH11/12	
Size	Document Number	Rev
A3	CH11-12.SCH	A
Date:	星期六, 五月 29, 2004	Sheet 7 of 16

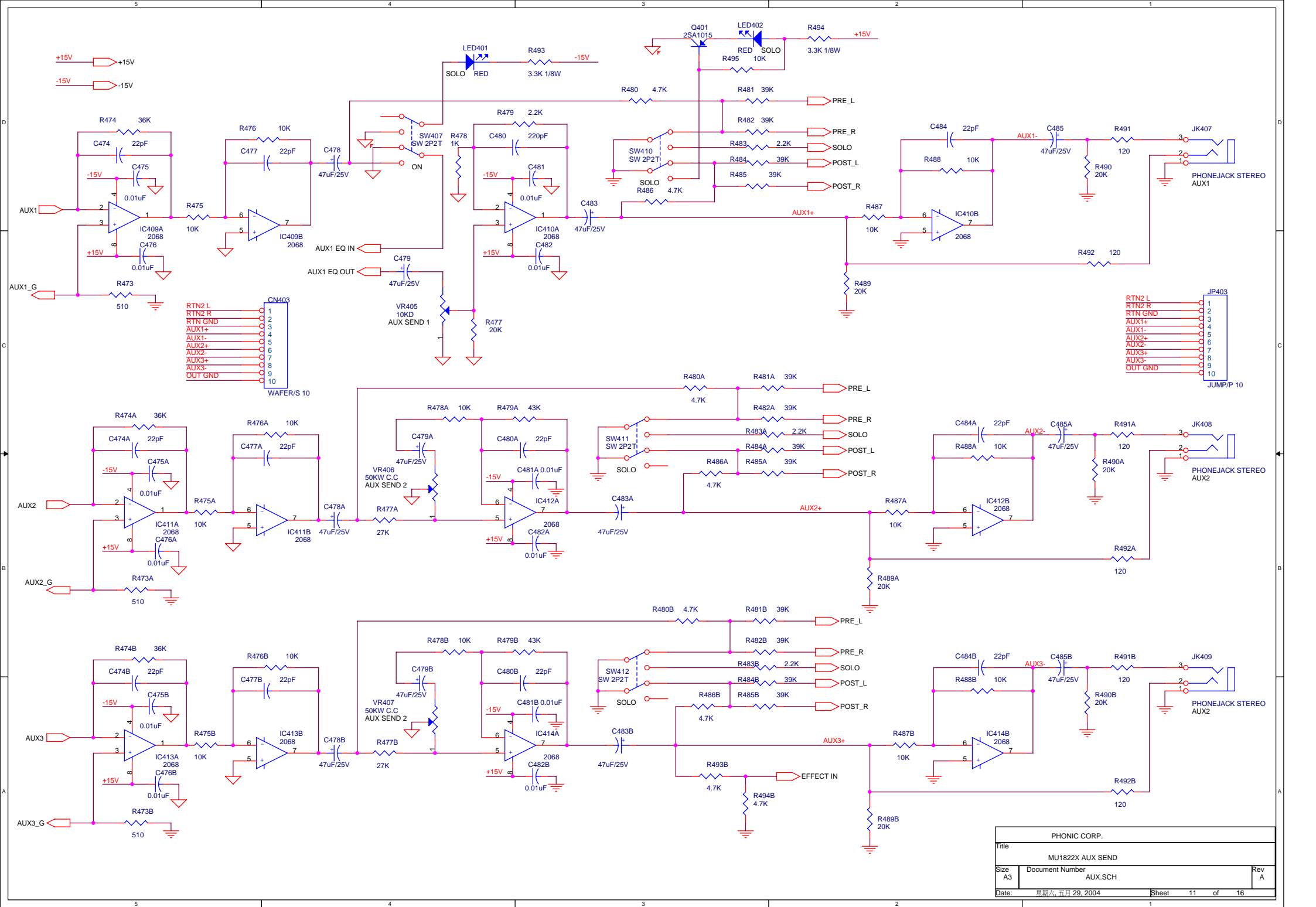




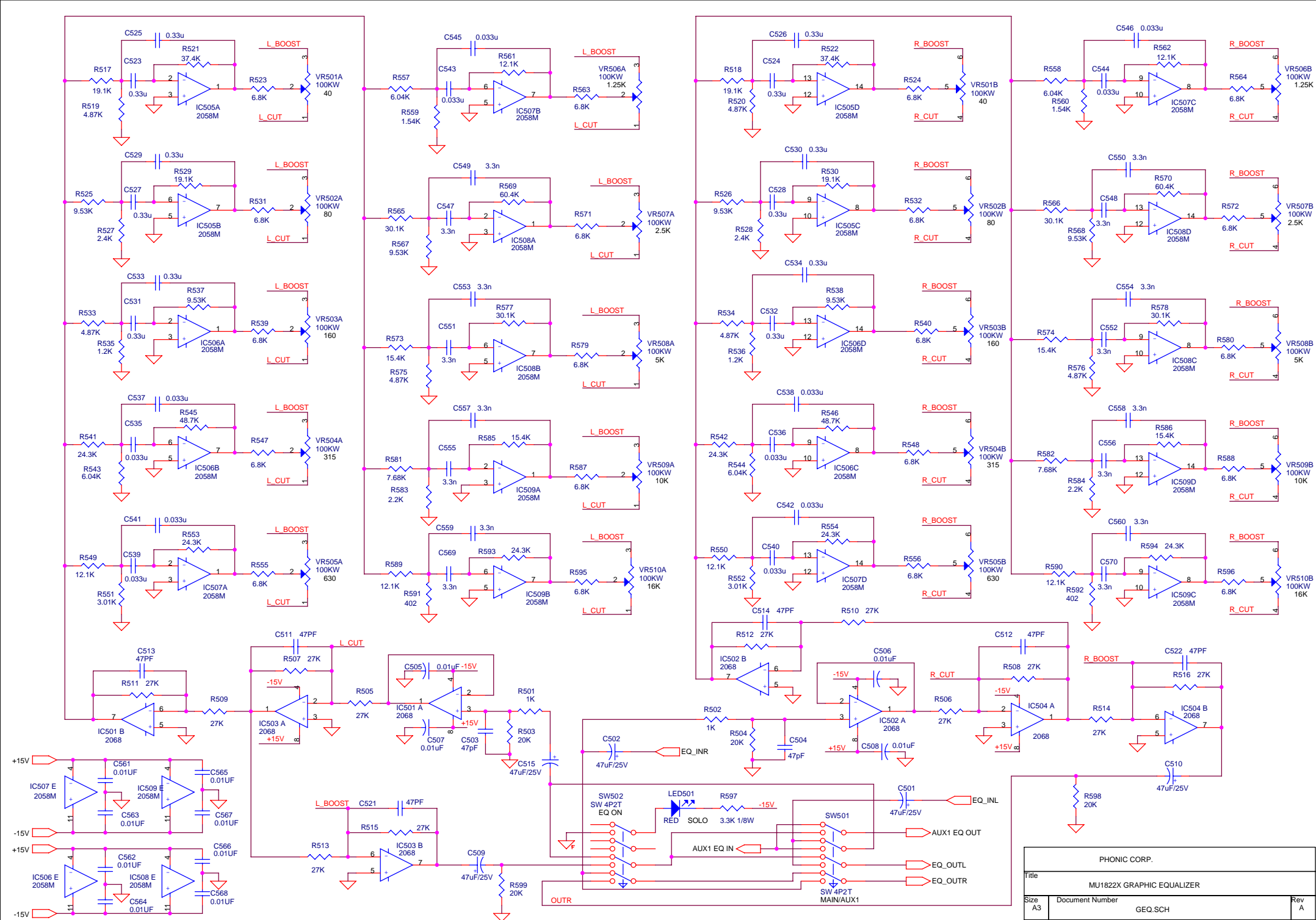
PHONIC CORP.			
Title MU1822X AUX RTN			
Size A3	Document Number	AUX RTN.SCH	Rev A
Date: 星期六, 五月 29, 2004	Sheet 9	of 16	



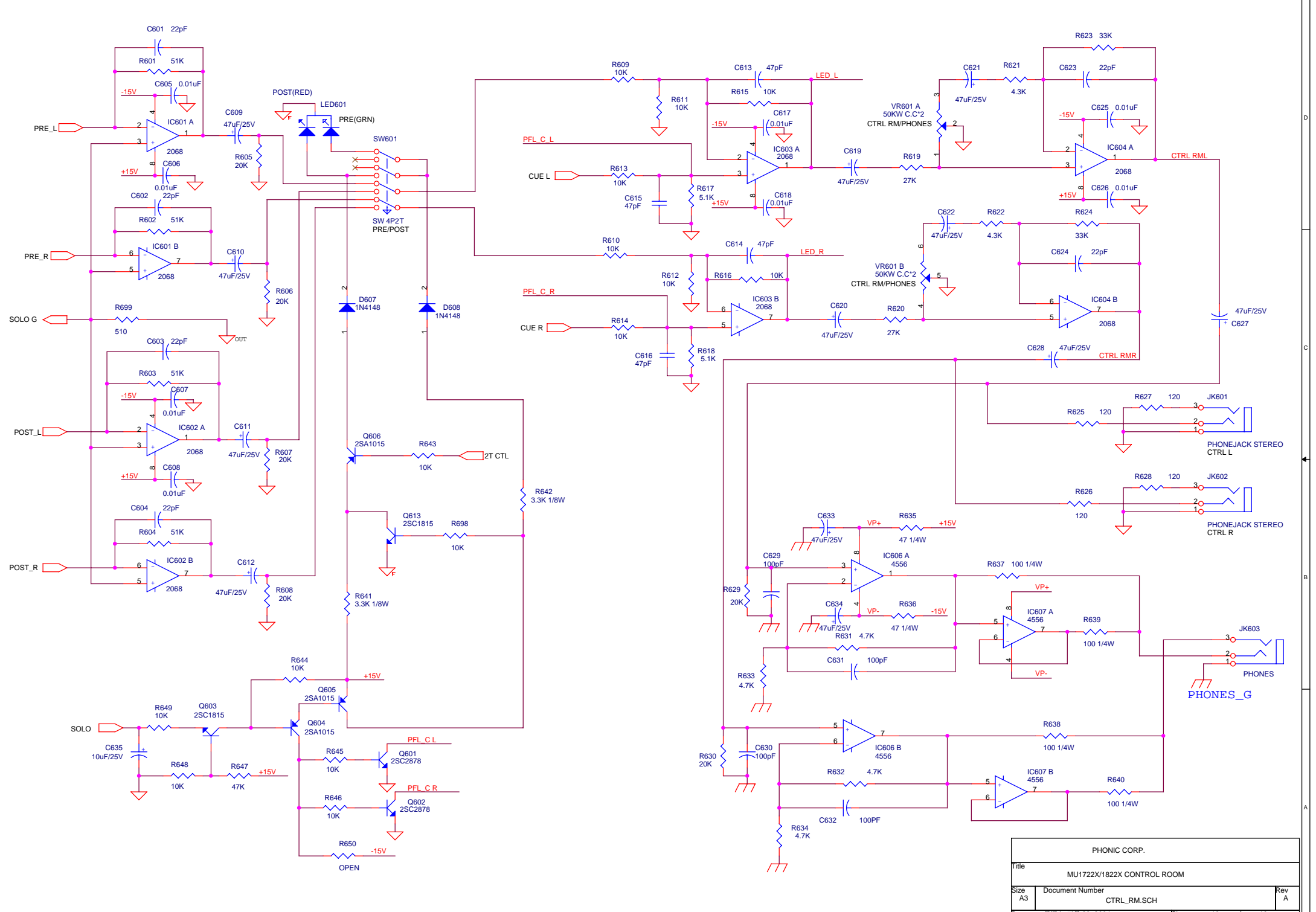
PHONIC CORP.			
Title MU1822X MAIN&GP1/2			
Size A3	Document Number MAIN&GP.SCH	Rev A	
Date: 星期六, 五月 29, 2004	Sheet 10	of 16	



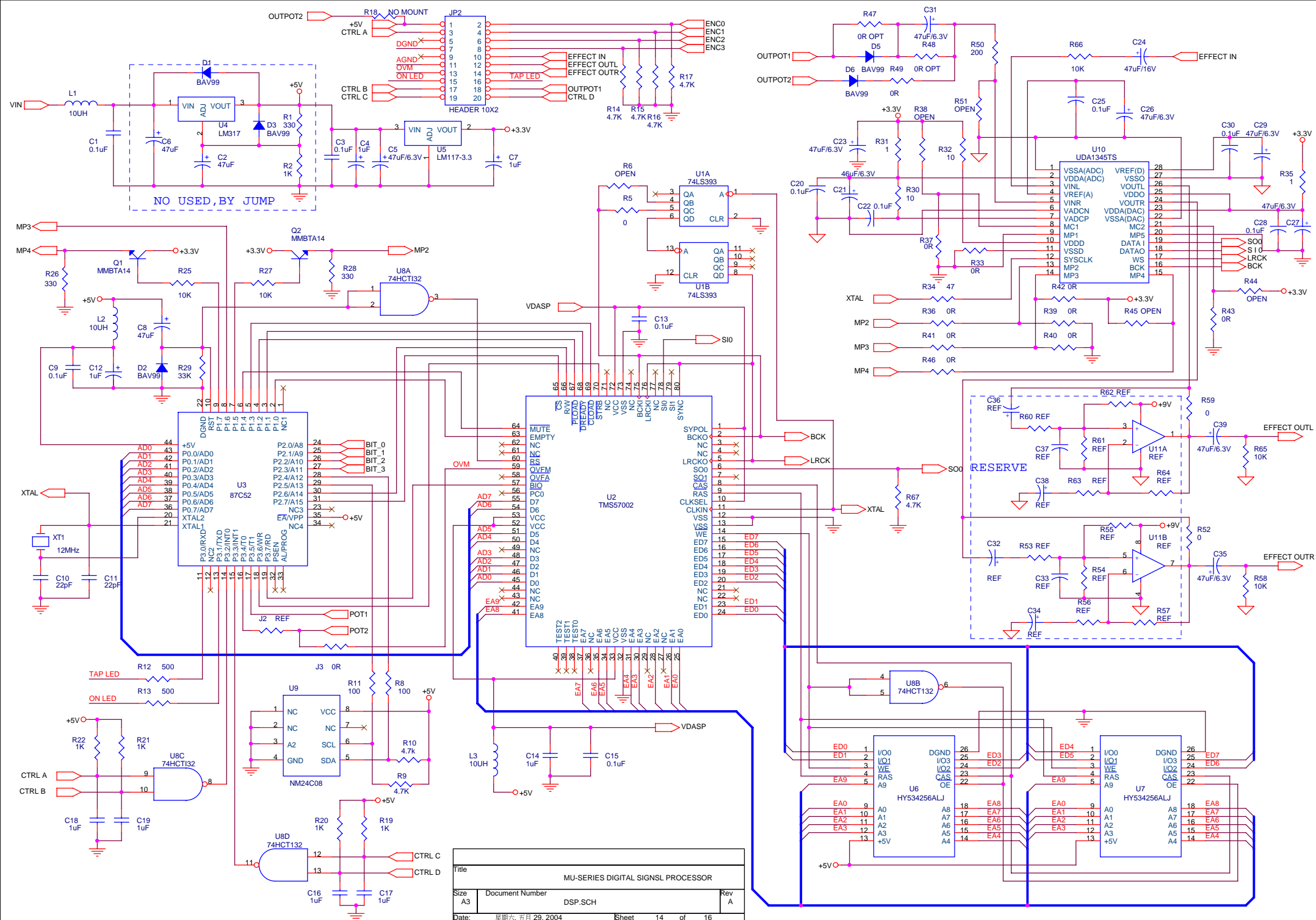
PHONIC CORP.		
Title MU1822X AUX SEND		
Size A3	Document Number AUX.SCH	Rev A
Date: 星期六, 五月 29, 2004	Sheet 11	of 16



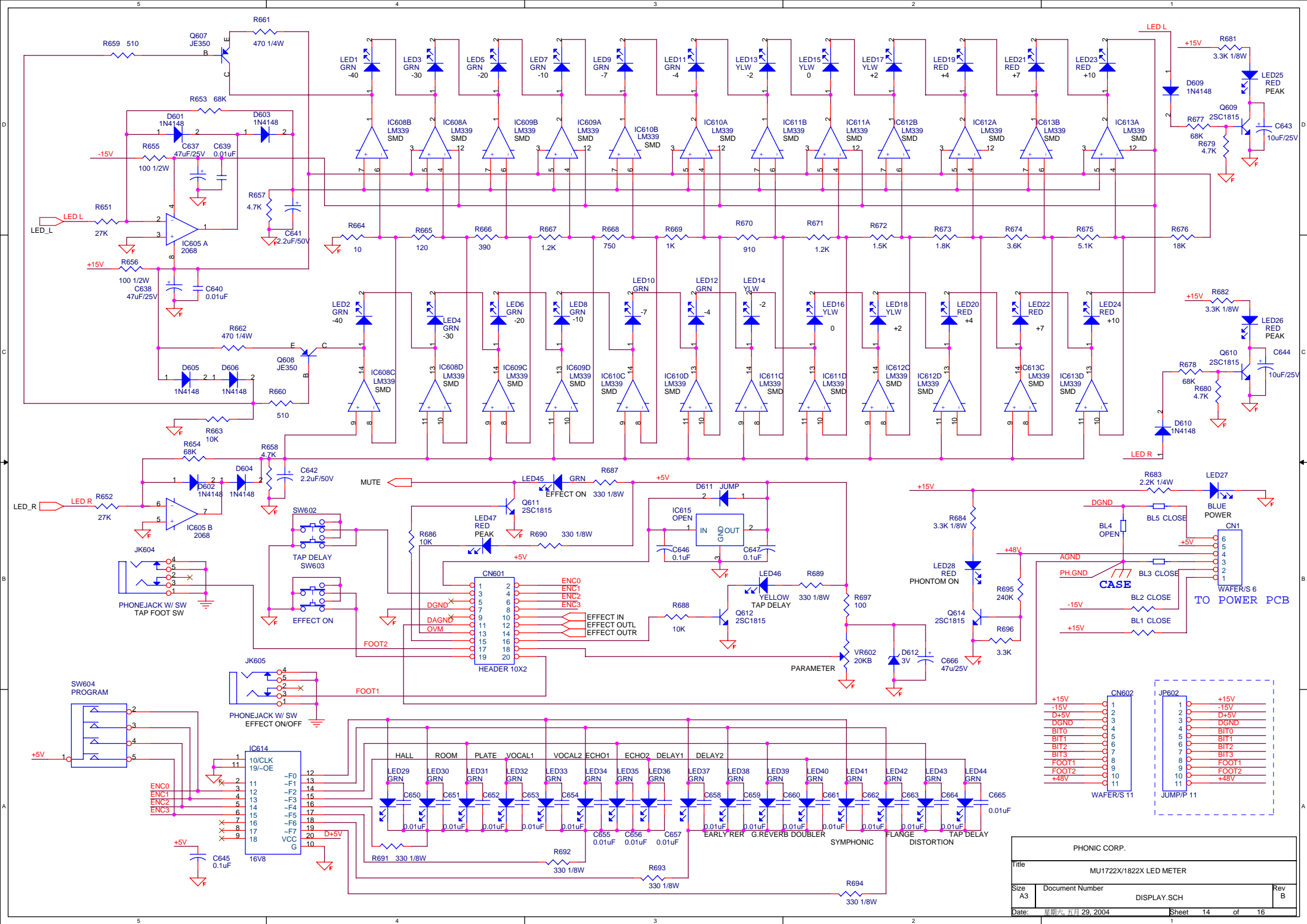
PHONIC CORP.			
Title	MU1822X GRAPHIC EQUALIZER		
Size	Document Number	GEQ.SCH	Rev A
A3			
Date:	星期六, 五月 29, 2004	Sheet	12 of 16



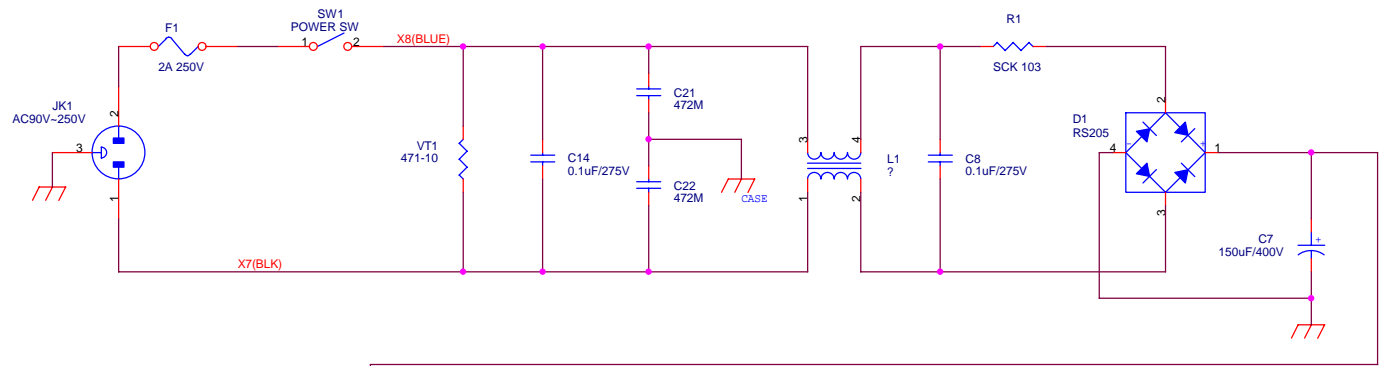
PHONIC CORP.			
Title MU1722X/1822X CONTROL ROOM			
Size A3	Document Number CTRL_RM.SCH		Rev A
Date: 星期六, 五月 29, 2004	Sheet 13 of 16		



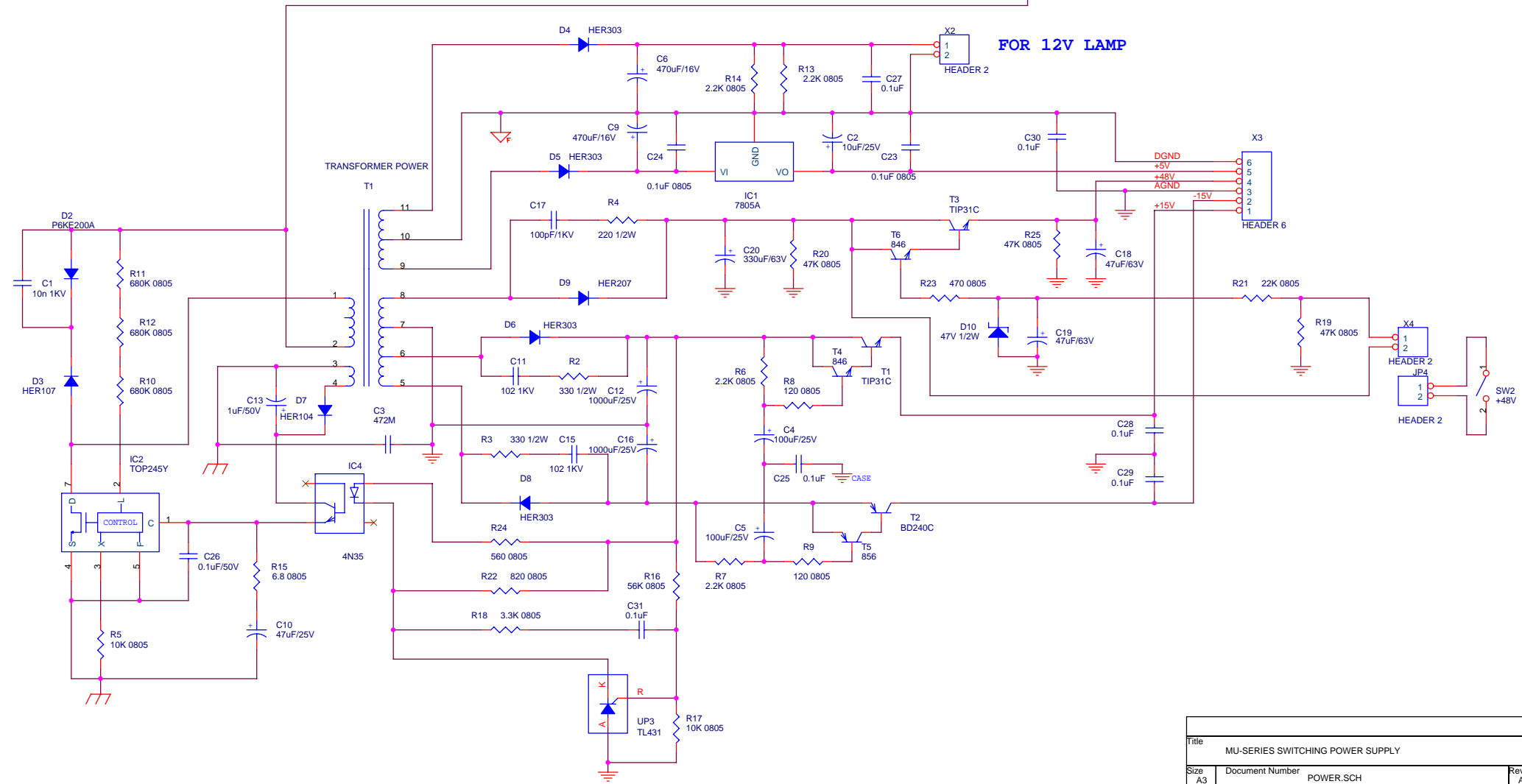
Title			
MU-SERIES DIGITAL SIGNSL PROCESSOR			
Size	Document Number		Rev
A3	DSP.SCH		A
Date:	星期六, 五月 29, 2004	Sheet	14 of 16



PHONIC CORP.			
Title MU1722X/1822X LED METER			
Size A3	Document Number	DISPLAY.SCH	Rev B
Date: 星期六, 五月 29, 2004	Sheet 14 of 16		



(LEDS lighted up
phones 330Hm)
NO LOAD FULL LOAD
MU1722X +/-15V*0.31A +/-15V*0.45A
MU1822X +/-15V*0.44A +/-15V*0.57A
MU1722X/1822X:+5V*0.23A MAX;+48V*10mA/MIC



Title			
MU-SERIES SWITCHING POWER SUPPLY			
Size	Document Number	Rev	
A3	POWER.SCH	A	
Date:	星期六, 五月 29, 2004	Sheet	16 of 16