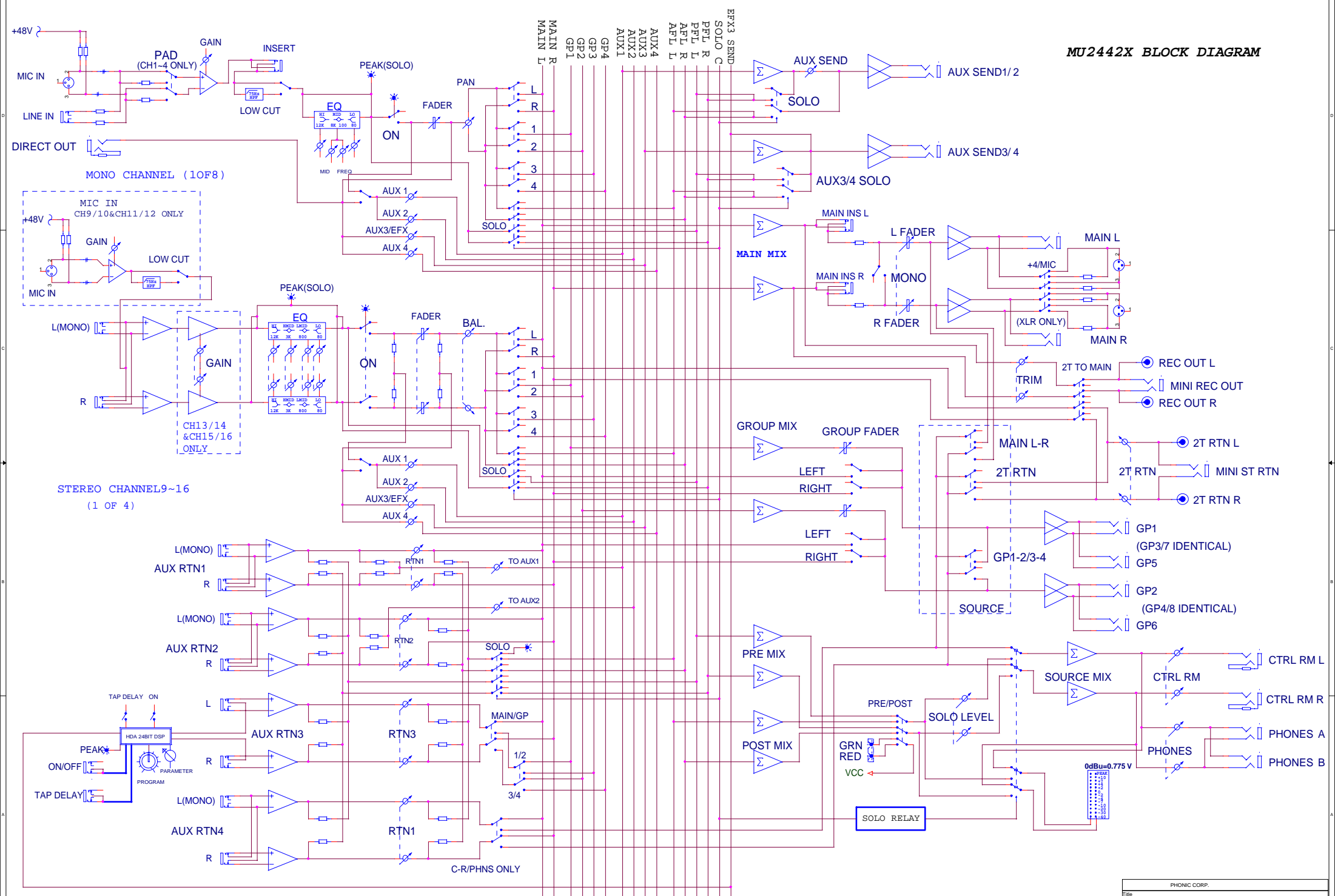
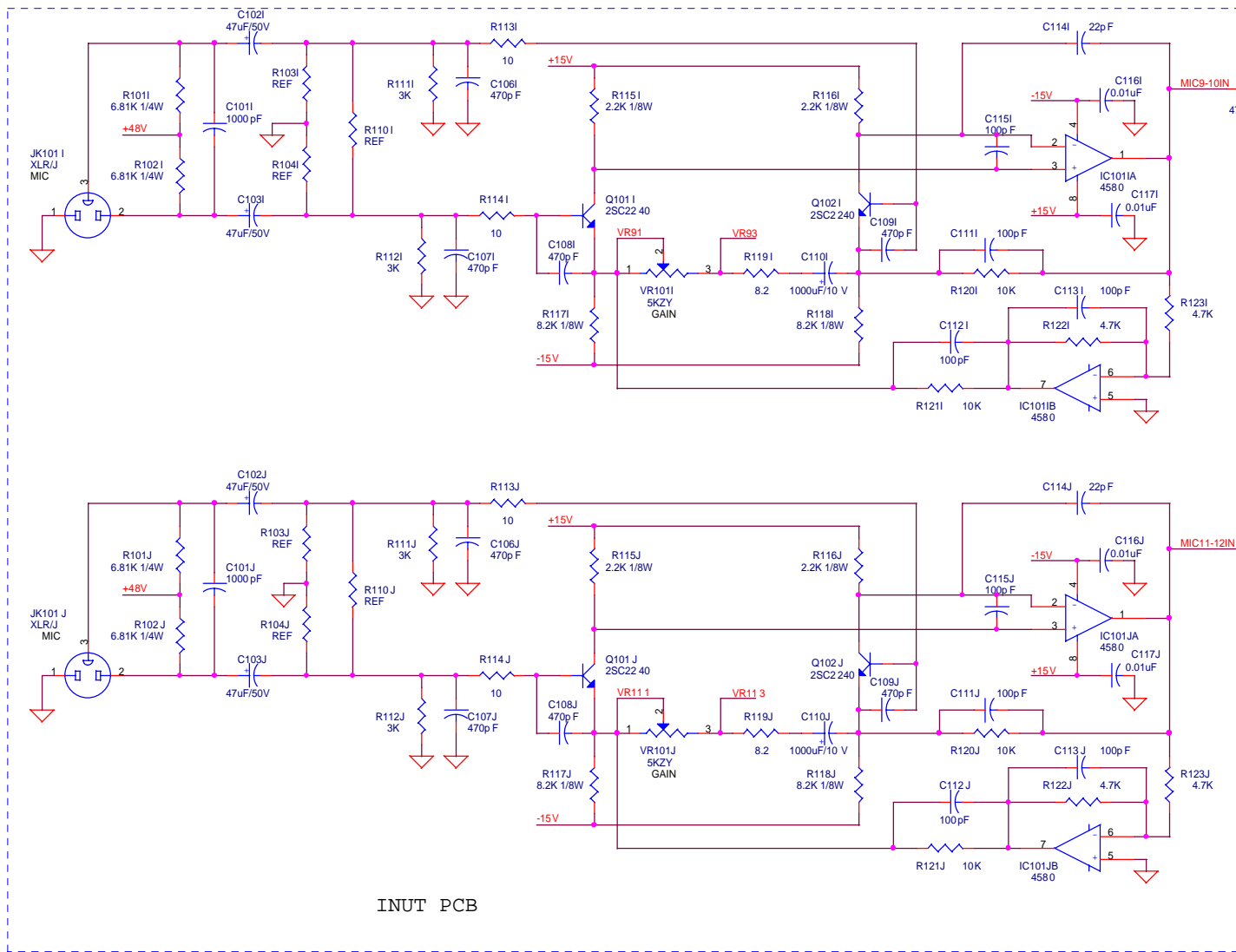


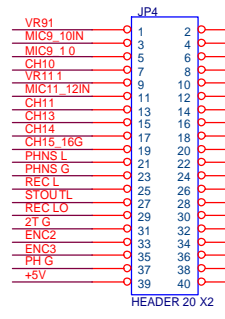
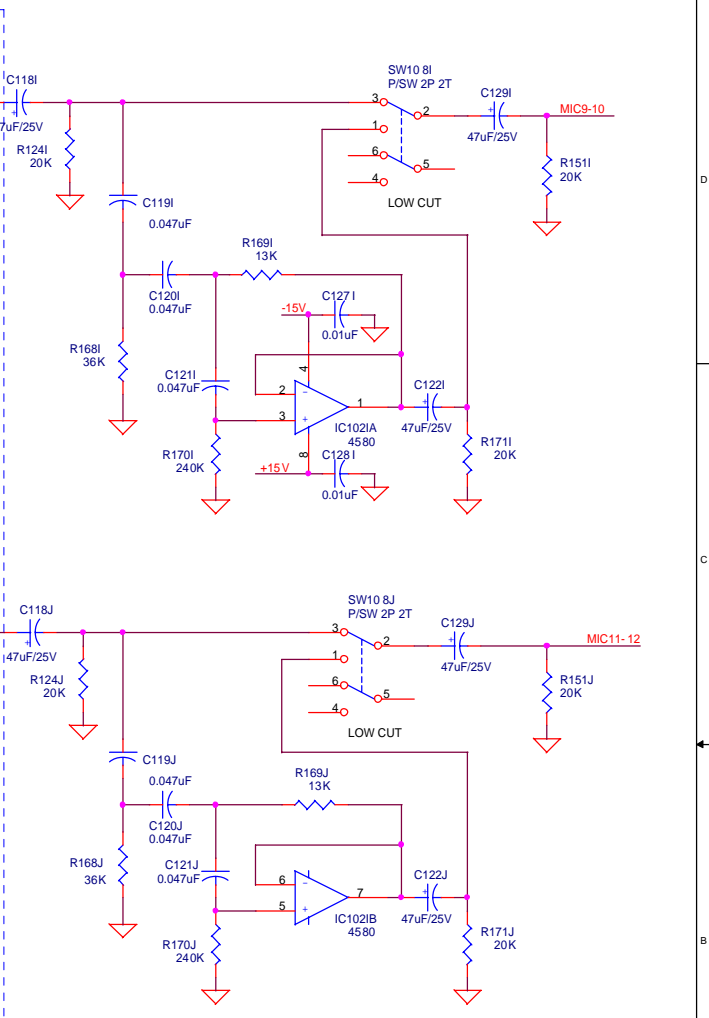
MU2442X BLOCK DIAGRAM

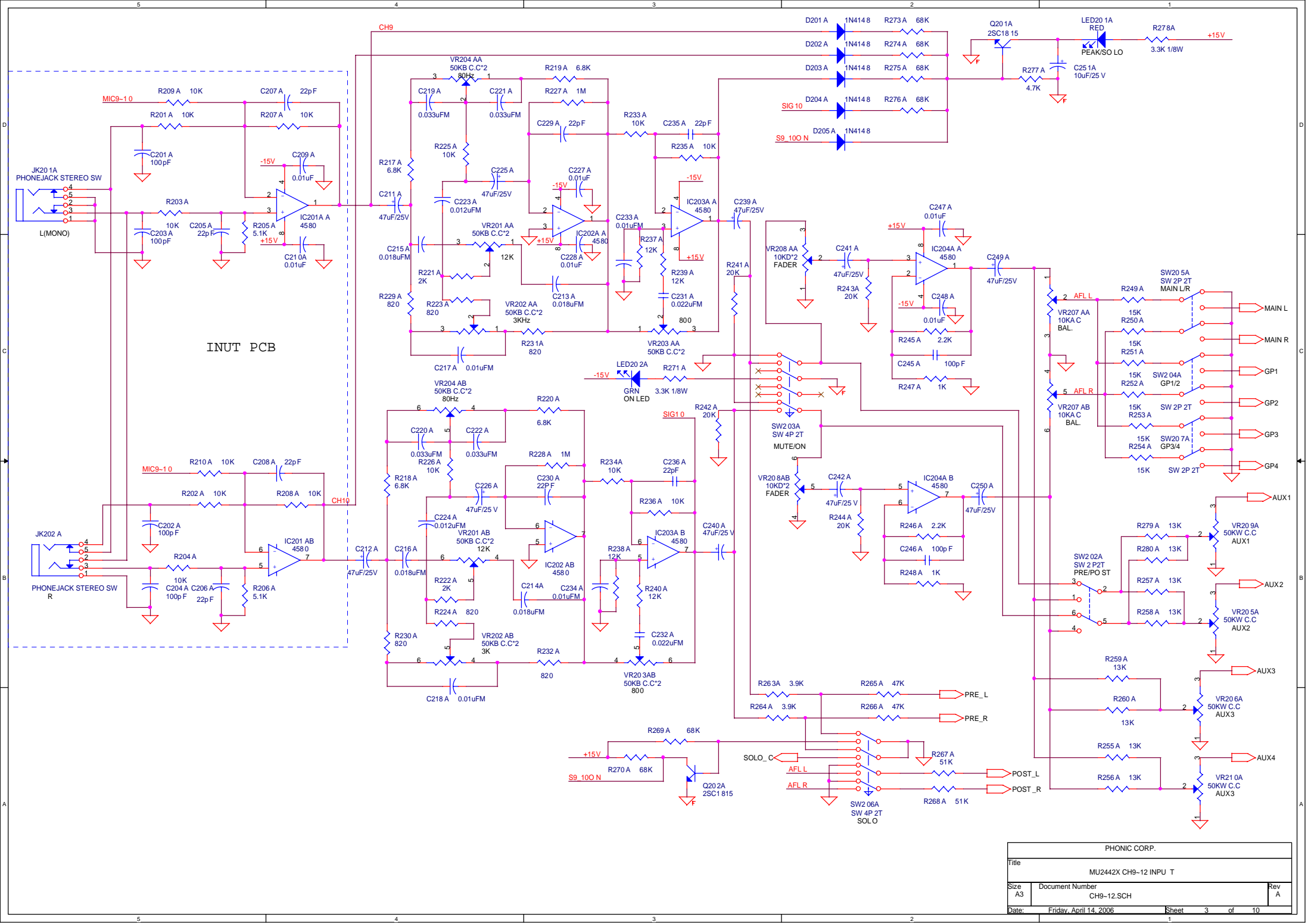


PHONIC CORP.			
File	MU2442X BLOCK DIAGRAM		
Size	Document Number	BLOCK.SCH	Rev A
A2			
Date:	Tuesday, October 12, 2004	Sheet	1 of 1

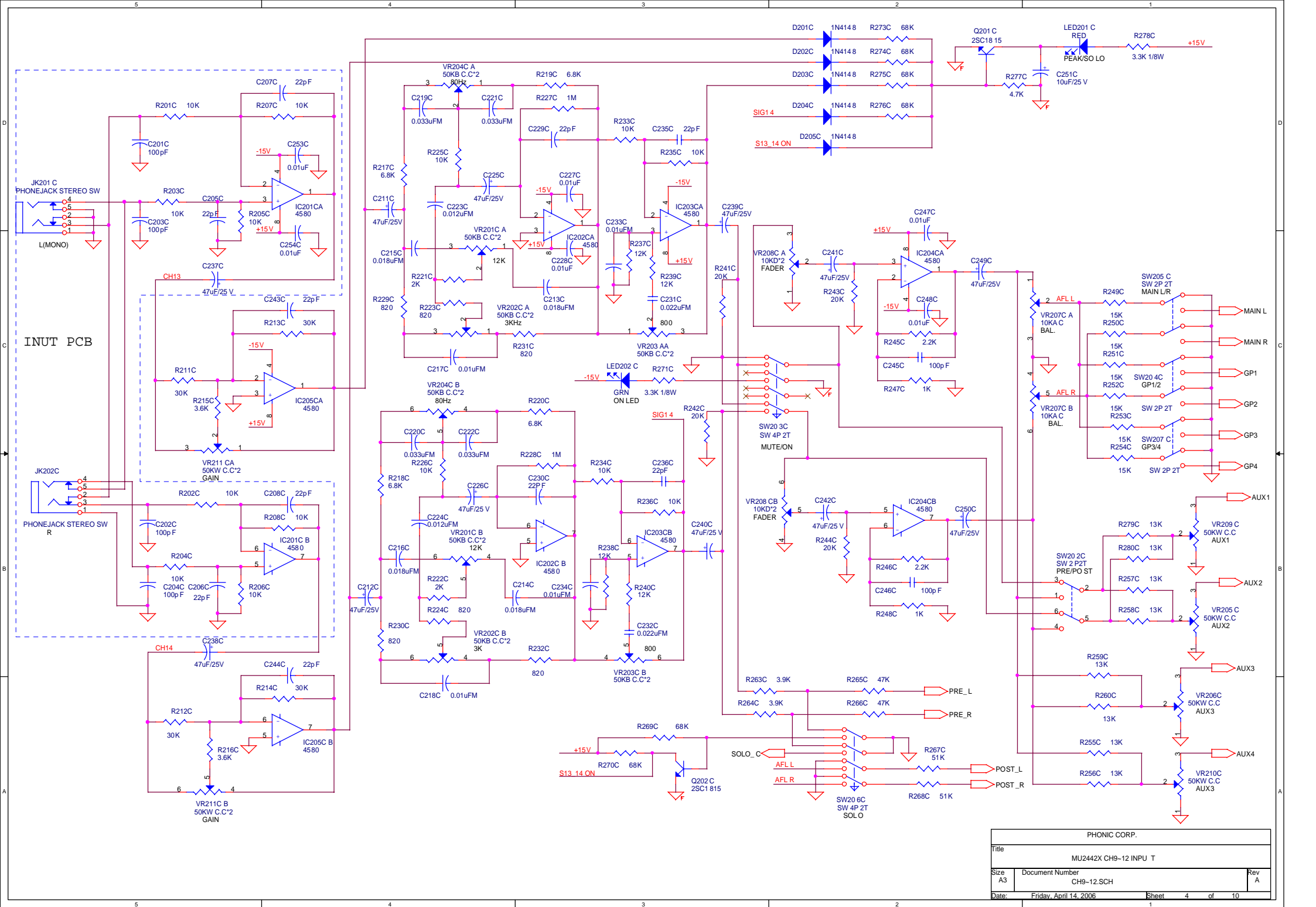


INUT PCB

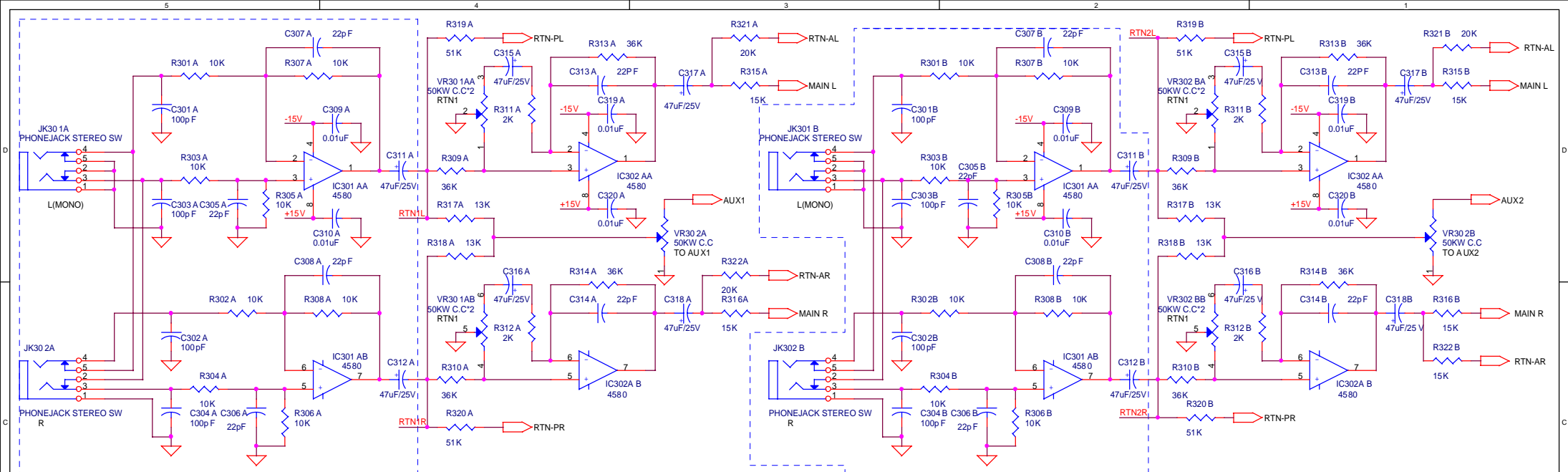




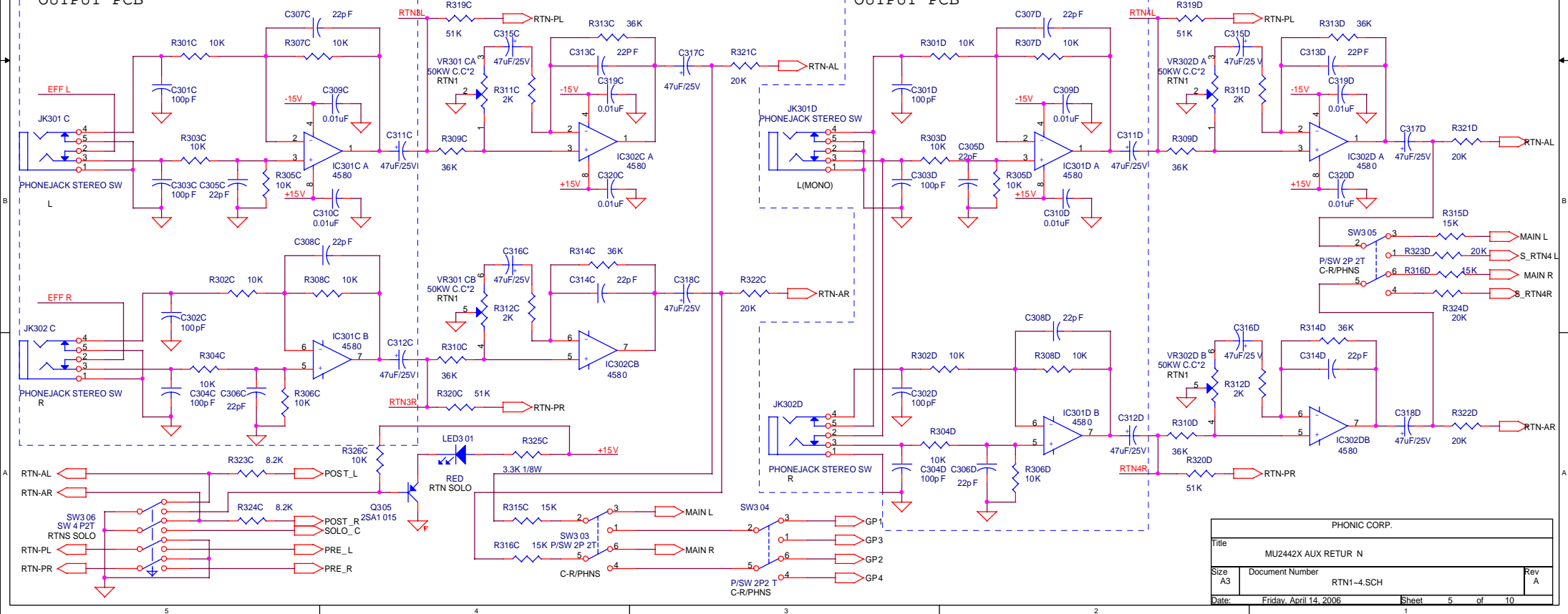
PHONIC CORP.			
Title	MU2442X CH9-12 INPU T		
Size	Document Number	Rev	
A3	CH9-12.SCH	A	
Date:	Friday, April 14, 2006	Sheet	3 of 10



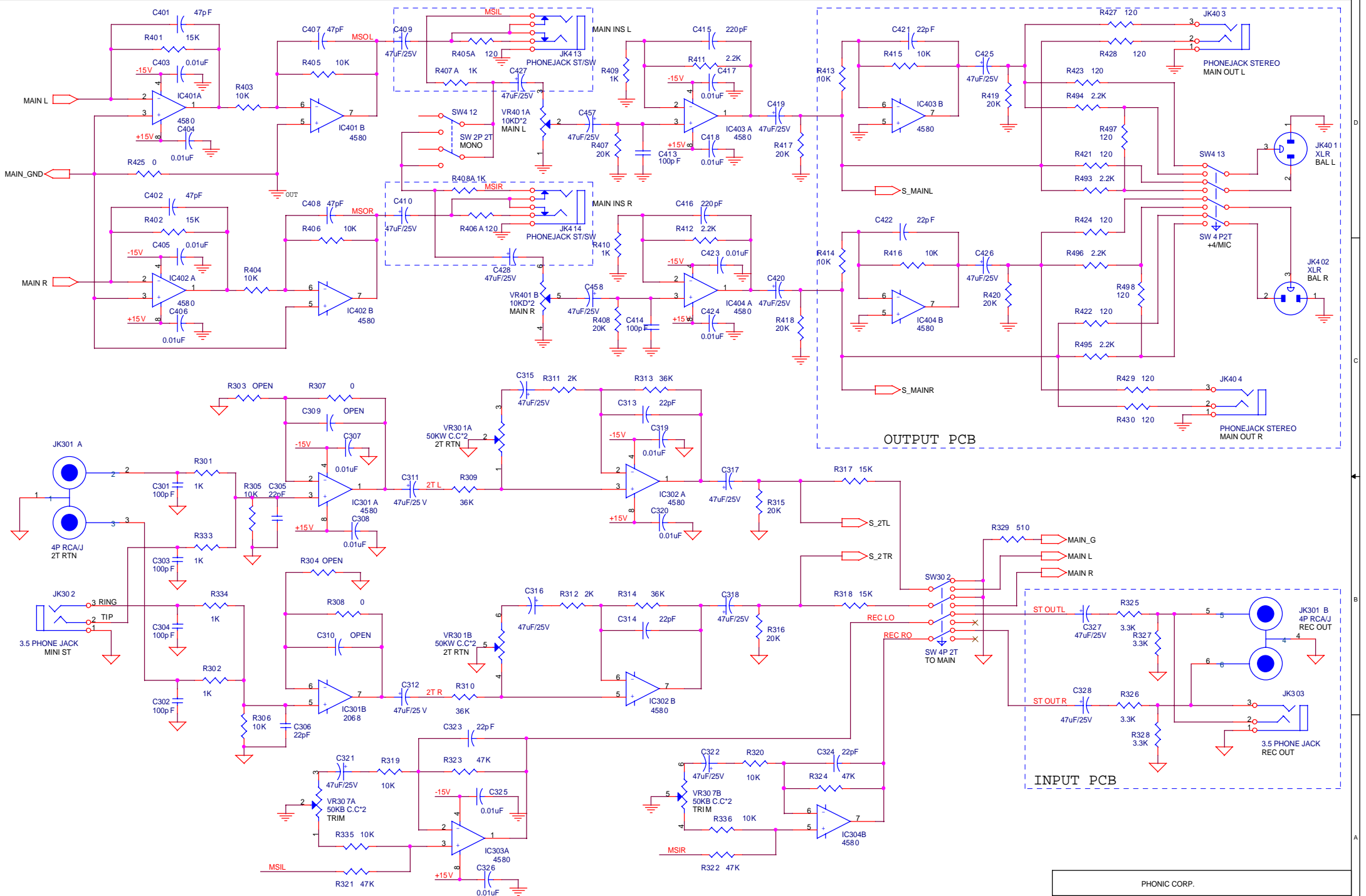
PHONIC CORP.		
Title MU2442X CH9-12 INPU T		
Size A3	Document Number CH9-12.SCH	Rev A
Date: Friday, April 14, 2006	Sheet 4 of 10	



OUTPUT PCB

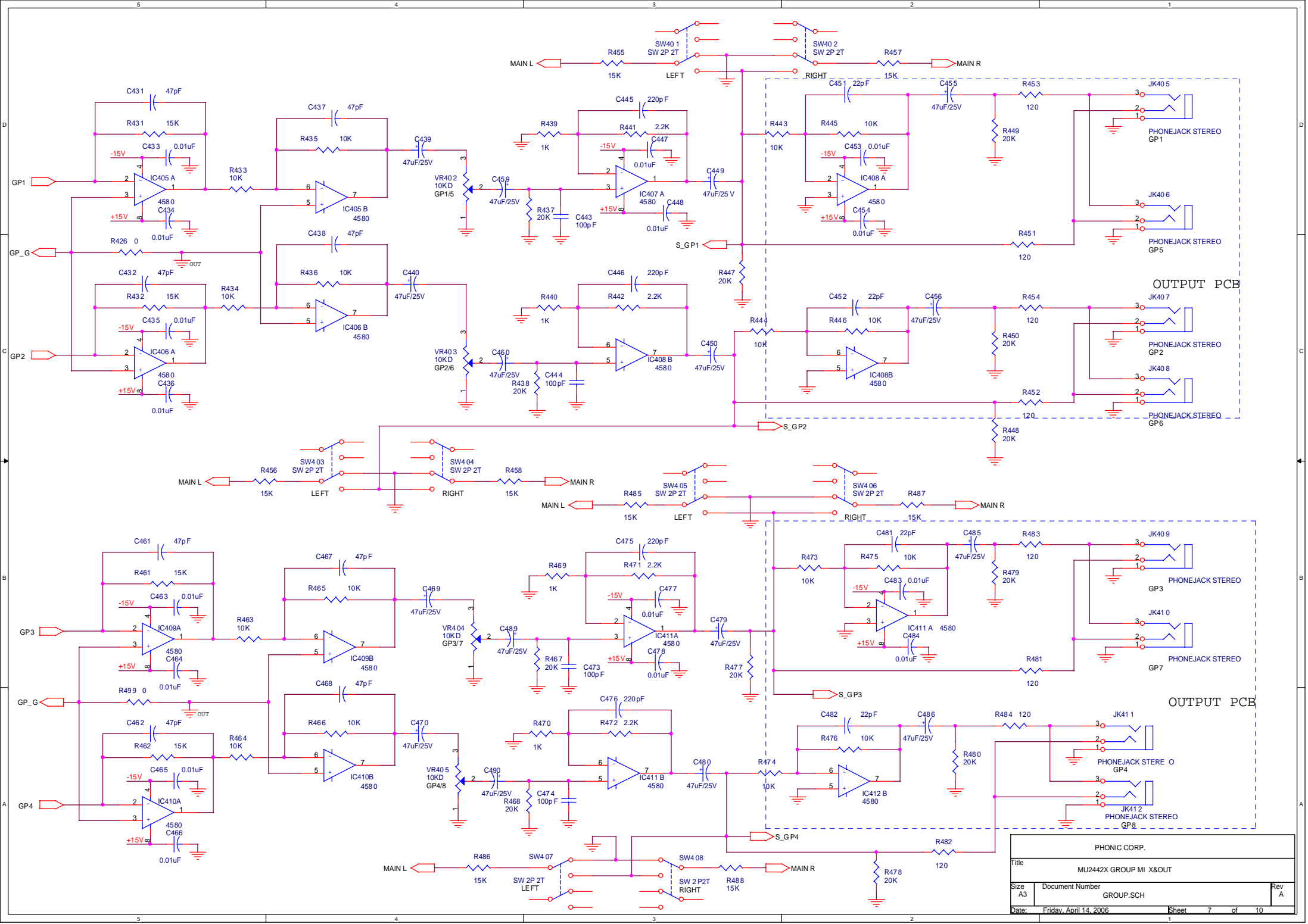


PHONIC CORP.			
Title MU2442X AUX RETURN			
Size A3	Document Number RTN1-4.SCH	Rev A	
Date: Friday, April 14, 2006	Sheet 5	of 10	

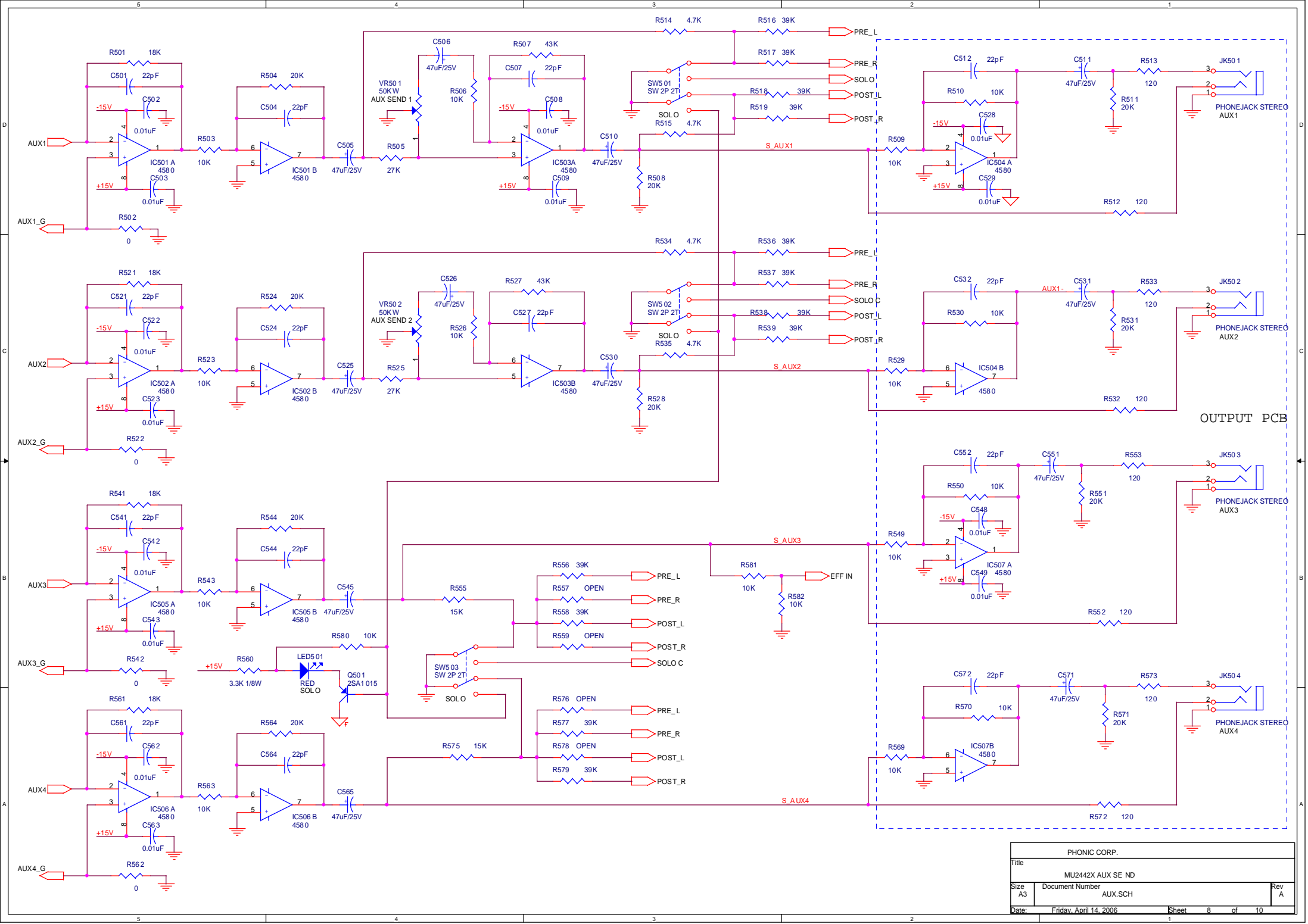


INPUT PCB

PHONIC CORP.			
Title MU2442X MAIN MIX&2T1 INPUT			
Size A3	Document Number MAIN.SCH	Rev A	
Date: Friday, April 14, 2006	Sheet 6	of 10	

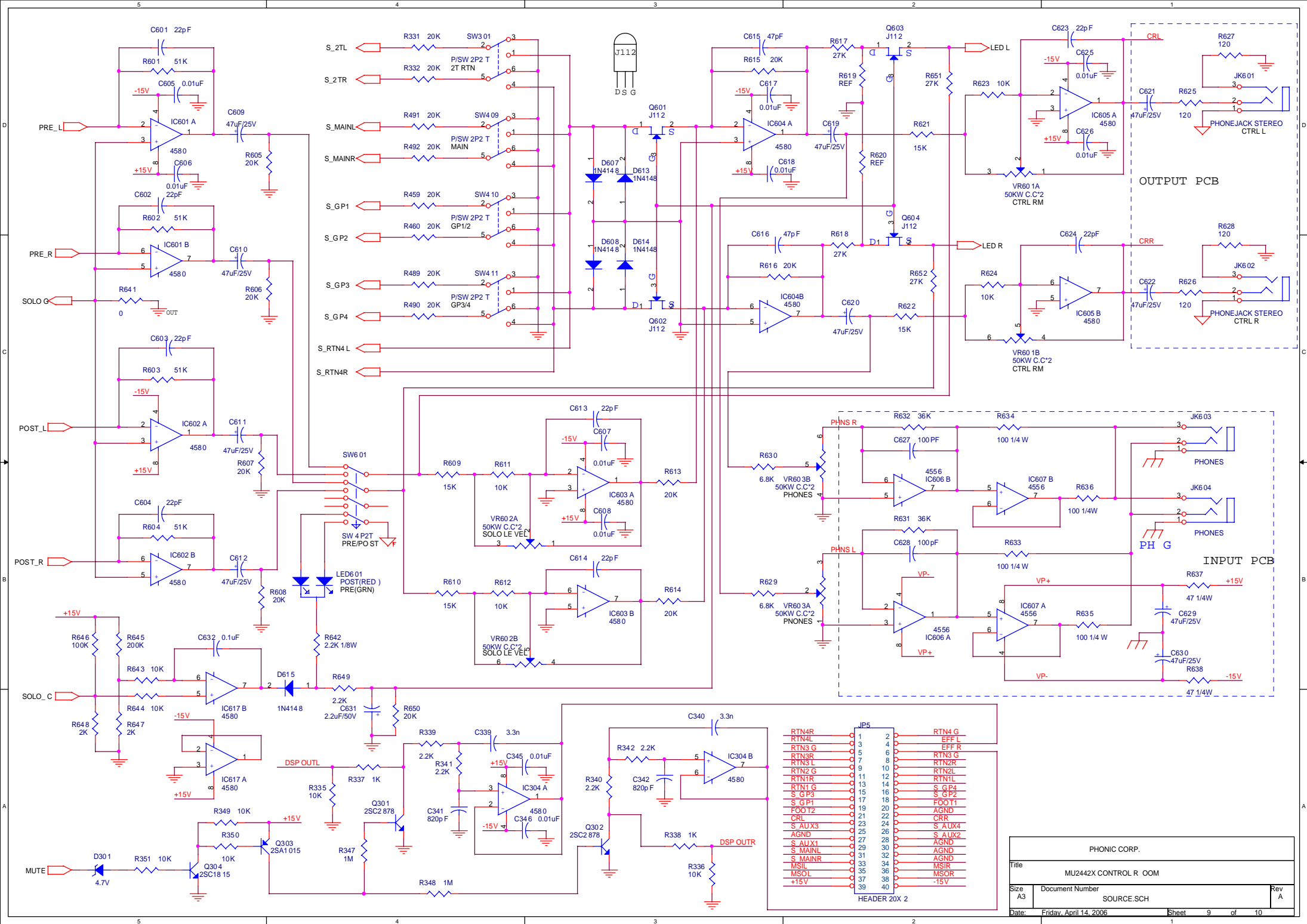


PHONIC CORP.		
Title MU2442X GROUP MI X&OUT		
Size A3	Document Number GROUP.SCH	Rev A
Date: Friday, April 14, 2006	Sheet 7 of 10	



OUTPUT PCB

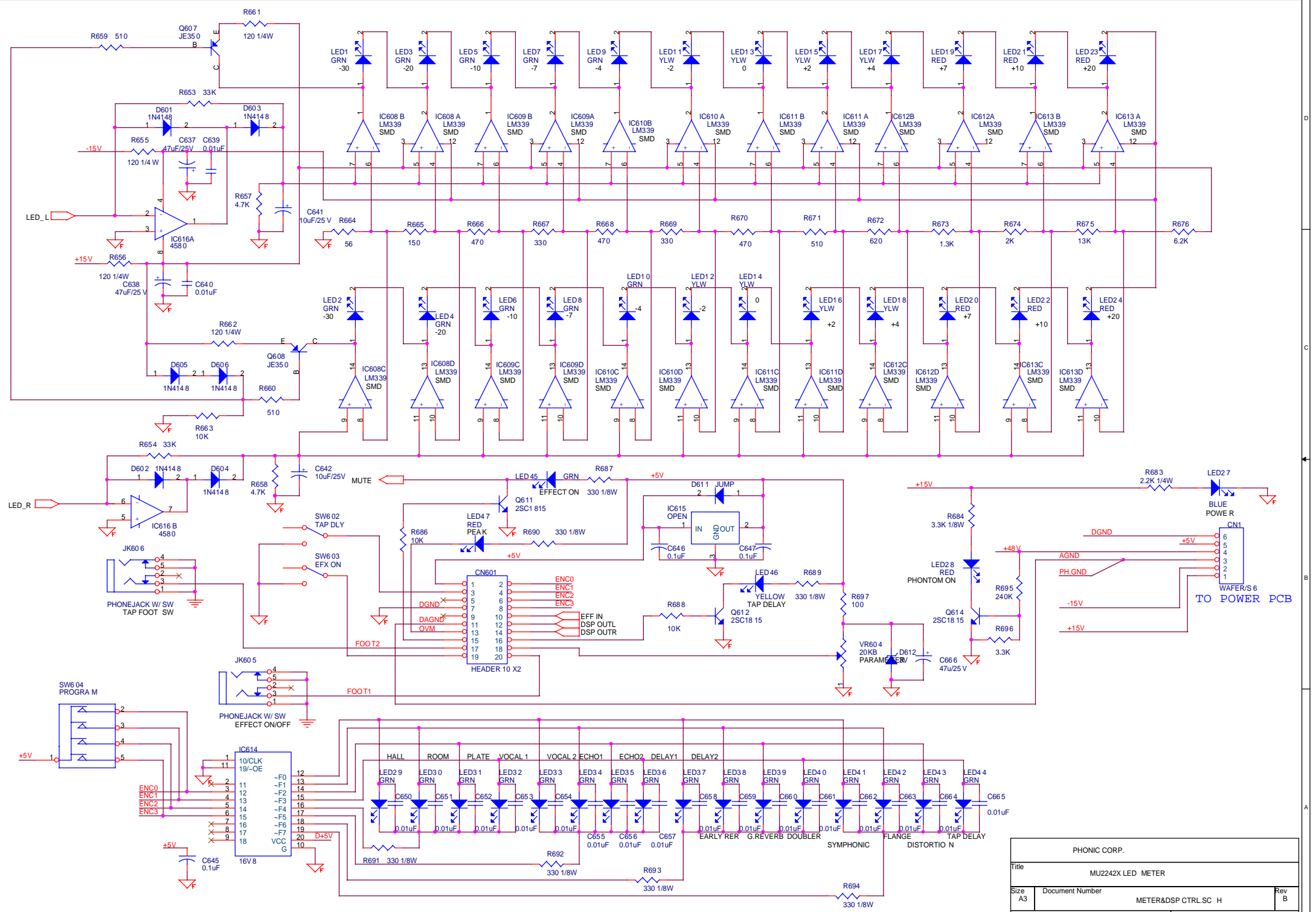
PHONIC CORP.		
Title		
MU2442X AUX SE ND		
Size	Document Number	Rev
A3	AUX.SCH	A
Date:	Friday, April 14, 2006	Sheet 8 of 10



Header 20x2 Pinout:

RTN4R	1	RTN4 G	2
RTN3 L	3	EFF L	4
RTN3 G	5	EFF R	6
RTN3R	7	RTN3 G	8
RTN3 L	9	RTN2R	10
RTN2 G	11	RTN2L	12
RTN1R	13	RTN1L	14
RTN1 G	15	S_G P4	16
S_G P3	17	S_G P2	18
S_G P1	19	FOOT1	20
FOOT2	21	AGND	22
CRL	23	CRR	24
S_AUX3	25	S_AUX4	26
AGND	27	S_AUX2	28
S_AUX1	29	AGND	30
S_MAINL	31	AGND	32
S_MAINR	33	AGND	34
MSIL	35	MSIR	36
MSOL	37	MSOR	38
+15V	39	-15V	40

PHONIC CORP.			
Title: MU2442X CONTROL R OOM			
Size: A3	Document Number: SOURCE.SCH	Rev: A	
Date: Friday, April 14, 2006	Sheet: 9	of 10	



PHONIC CORP.			
Title MU2242X LED METER			
Size A3	Document Number METER&DSP CTRL.SC H	Rev B	
Date: Friday, April 14, 2006	Sheet 10	of 10	

